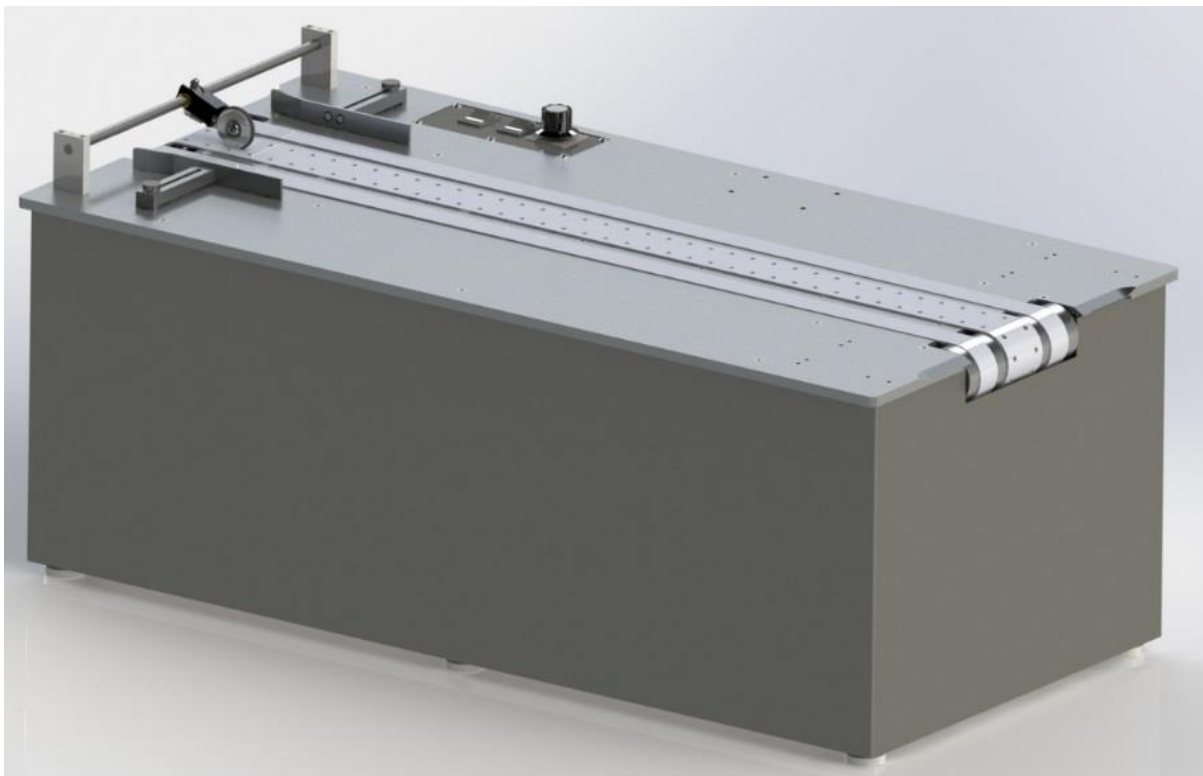




POSTMATIC, INC.

INLINE VACUUM BASE - 10 X 13" EXT

Parts Manual



Postmatic, Inc.

9405 Holly Street Ste D
Minneapolis, MN 55433

Phone 763-784-6046

Toll Free 888-784-6046

Fax 763-784-9433

TABLE OF CONTENTS

Inline Vacuum Base- 10x13" EXT. Assembly

Assembly Exterior Top.....	2
Assembly Exterior Top Fig. 1.....	3
Assembly Drive Input	4
Assembly Drive Input Fig. 2.....	5
Assembly Drive Output	6
Assembly Drive Output Fig. 3.....	7
Assembly Vacuum Chamber	8
Assembly Plate Switch IVB.....	9
Assembly Power Panel	10
Assembly Bottom	11
Assembly Input Feed Roller.....	12

Assembly Exterior Top

ITEM NO.	PART NUMBER	DESCRIPTION	QTY.
1	900122	CHASSIS MAIN 10X13 16"	1
2	900120	PLATE TOP 10X13 16"	1
3	1200	10-24 X ¾ SHCS BLK	2
4	7095	KNOB THUMB SCREW #10	2
5	300013	BRKT RLR STAND OFF	2
6	1165	8-32 X 1-1/4 SHCS BLK	4
7	SEE FIG. 8	ASSY RLR HOLD DOWN	1
8	900029	SHAFT RLR INPUT FEED	1
9	SEE FIG. 5	ASSY PLATE SWITCH IVB	1
10	1137	8-32 X ¼ BHCS BLK	6
11	1174	10-32 X ¼ BHCS BLK	4
12	300063	PANEL REAR	1
13	1177	10-32 X 5/8 FHCS BLK	6
14	900091	BELT TRANSPORT EXT 10X13 SET	1
15	1115	8-32 X 3/8 FHCS BLK	4
16	300017	GUIDE ENTRY ADJUST	2
17	900015	BRKT SIDE GUIDE ADJ 10X13	2

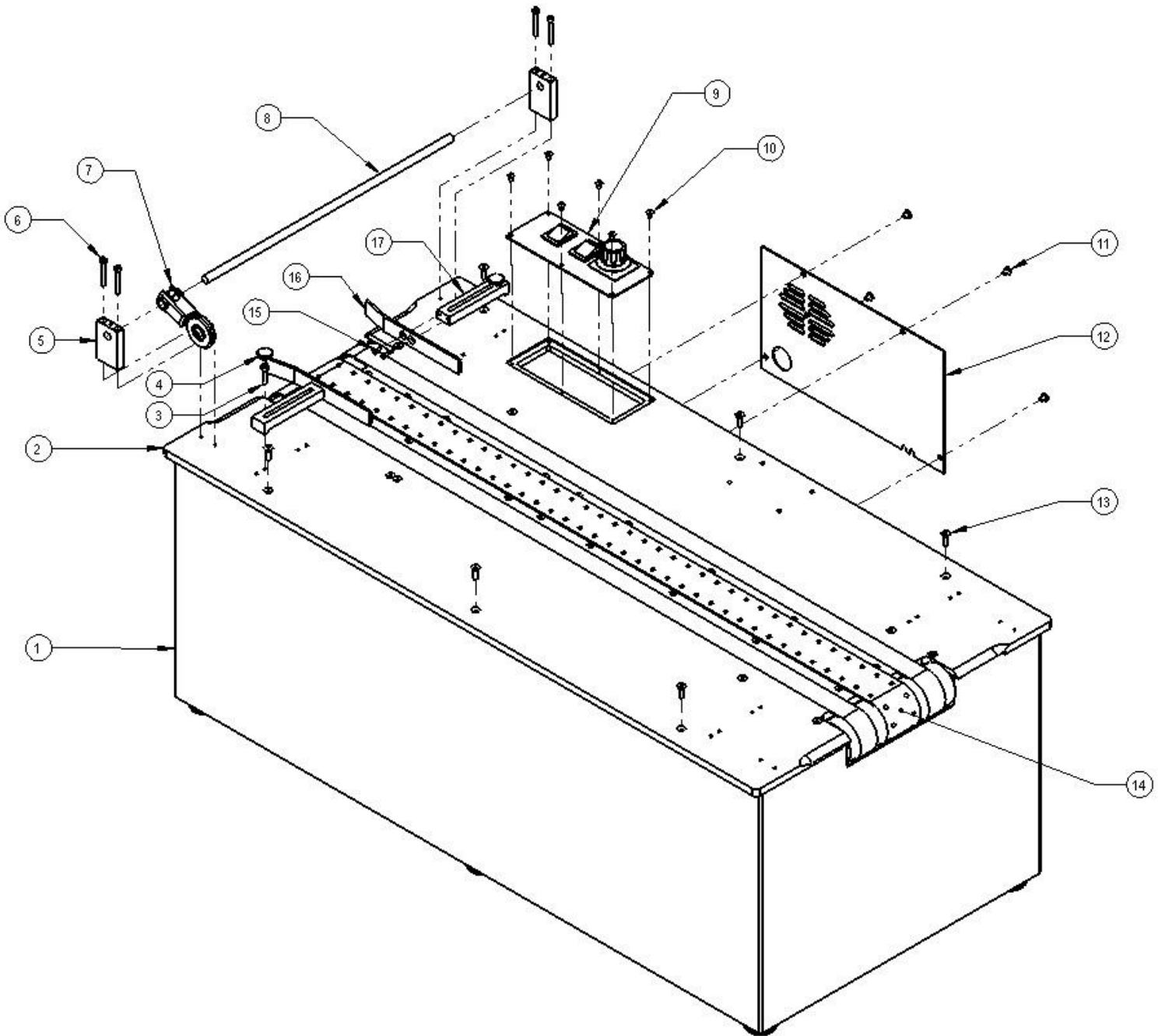


FIG. 1 Assembly Exterior Top

Assembly Drive Input

ITEM NO.	PART NUMBER	DESCRIPTION	QTY.
1	900021	ROLLER BELT TENSION 10X13	2
2	8224	BEARING SEALED ½ X 1-1/8 RNG	2
3	1224	10-24 ¼ SOC SET CUP PT	4
4	8088	BUSHING FLANGED	2
5	300007	PLATE INPUT LH/RH	2
6	1171	10-32 X 3/8 SOC SET CUP PT	2
7	8225	BRG SEALED ½ X 1-1/8 W/ COLLAR	2
8	1178	10-24 X 5/8 FHCS BLK	4
9	900020	ROLLER BELT DR FLAT 10X13	1
10	5040	3/16 x 1-1/2 SPR PIN BL	1
11	900038	SHAFT RLR DRIVEN ENCODER 10X13	1
12	900036	SHAFT PVT/RLR IDLER 10X13	2
13	300008	ARM BELT TENSION	2
14	1240	14-20 X 5/8 SHC BLK	6
15	300023	CAM TENSIONER ECCENTRIC	2
16	900005	SHAFT CAM MTG SQ 10X13	1
17	1245	¼ X ¼ SHC BLK	2
18	8022	½ X ¾ X .031 SHIM ROUND	4
19	900035	SHAFT ROLLER IDLER 10X13	1

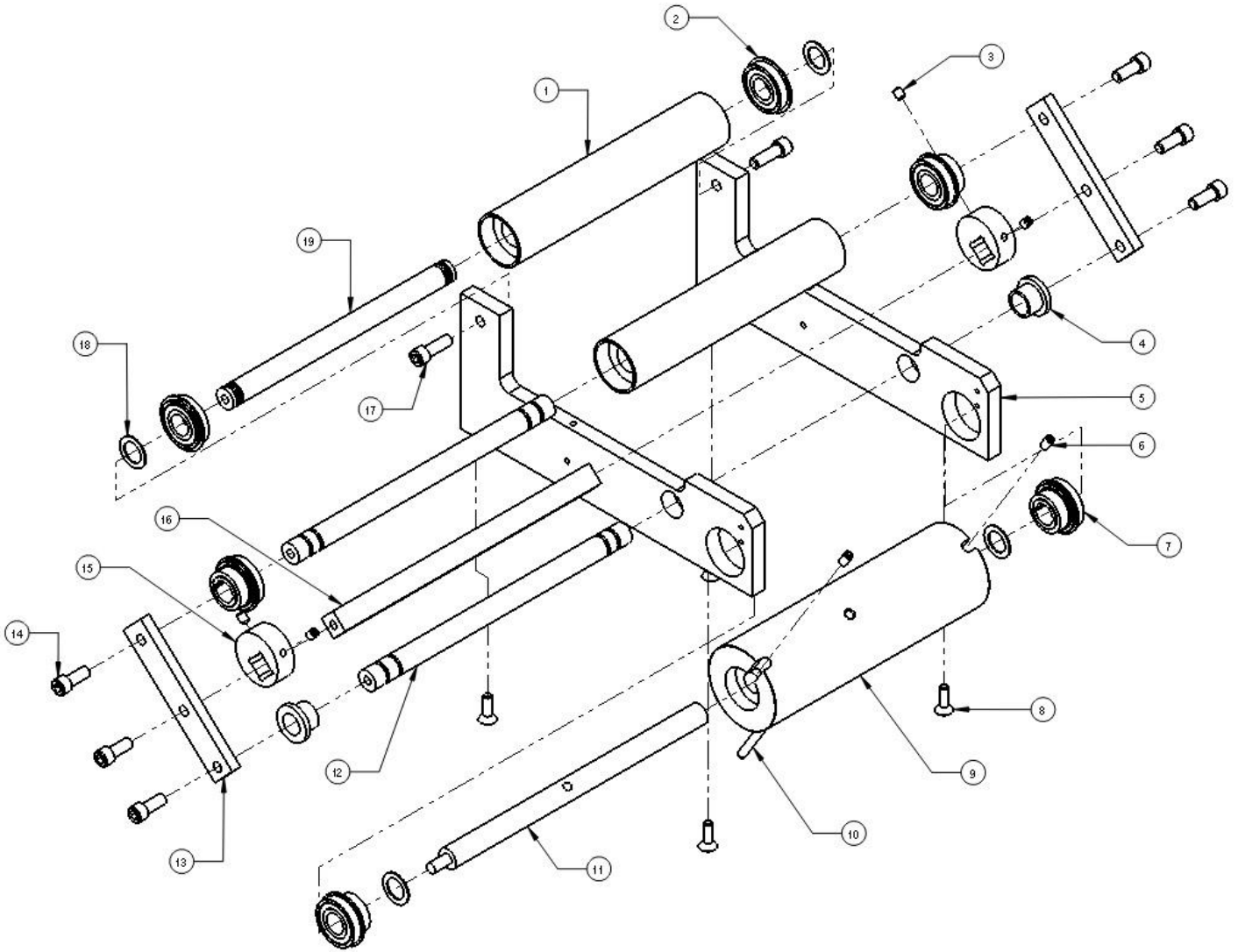


FIG. 2 Assembly Drive Input

Assembly Drive Output

ITEM NO.	PART NUMBER	DESCRIPTION	QTY.
1	1171	10-32 X 3/8 SOC SET CUP PT	2
2	5040	3/16 X 1-1/2 SPR PIN BL	1
3	1178	10-24 X 5/8 FHCS BLK	4
4	8225	BRG SEALED ½ X 1-1/8 W/ COLLAR	4
5	8023	½ X ¾ X.093 SHIM ROUND	6
6	300054	PULLEY TIMING 22HTD MACHINED	1
7	1170	10-32 X ¼ SOC SET PT CUP	2
8	300093	BELT TIMING HTD 5M51	1
9	300003	PLATE OUTPUT LH	1
10	300070	MOTOR DRIVE 90 VDC 1/6 HP	1
11	300051	PULLEY TIMING 18HTD W/O HUB	1
12	900030	SHAFT JACK 10X13	1
13	5006	1/8 X 1/8 X ¾ KEY	3
14	300056	PULLEY TIMING 44HTD W/ HUB	1
15	300052	PULLEY TIMING 20HTD W/O HUB	1
16	300094	BELT TIMING HTD 5M60	1
17	1250	¼-20 X 1 SHCS BLK	3
18	300004	PLATE OUTPUT RH	1
19	900020	ROLLER BELT DR FLAT 10X13	1
20	8022	½ X ¾ X .031 SHIM ROUND	2
21	300032	SHAFT ROLLER DRIVEN	1

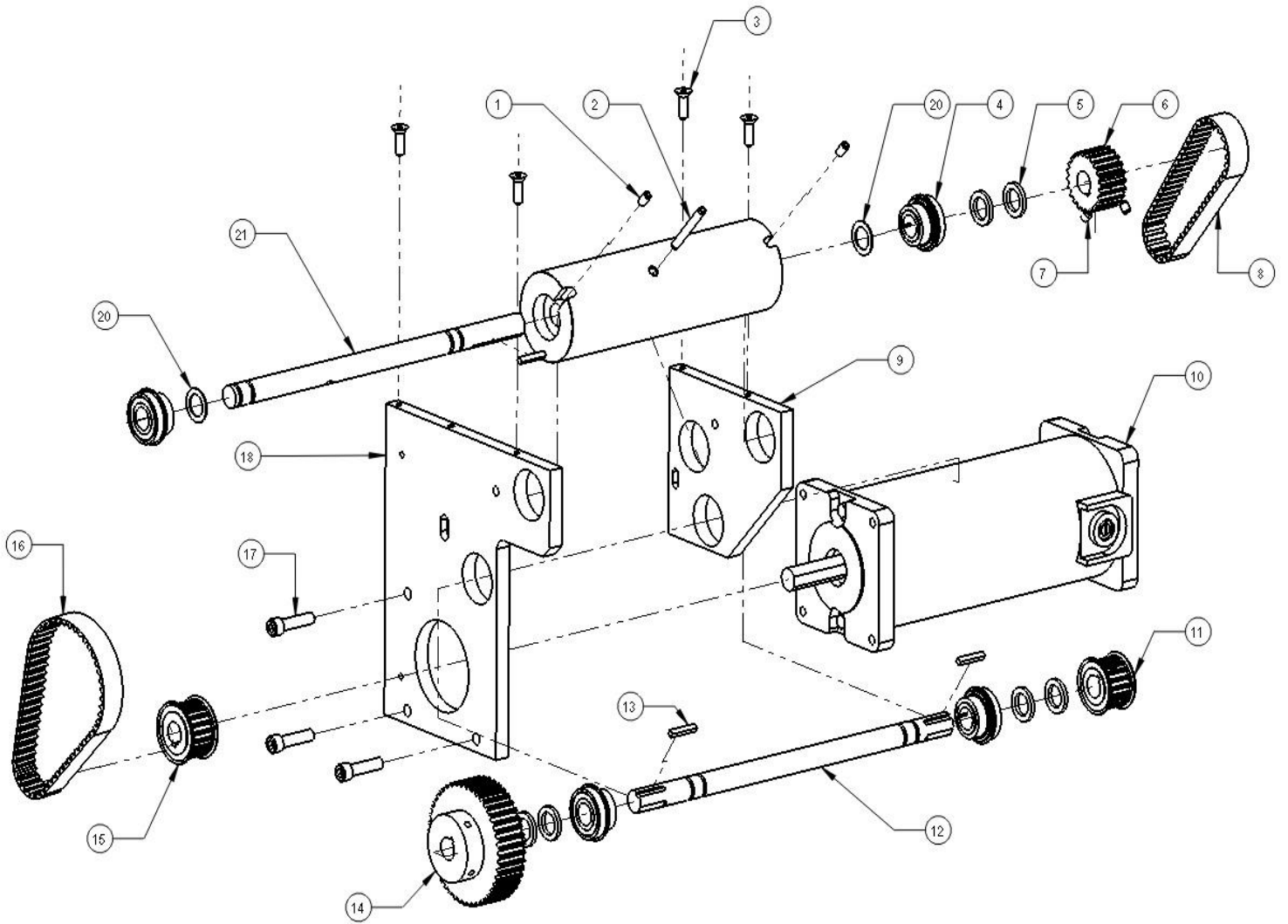


FIG. 3 Assembly Drive Output

Assembly Vacuum Chamber

ITEM NO.	PART NUMBER	DESCRIPTION	QTY.
1	1220	10-24 X 3/8 BHC BL	8
2	900044	PIPE 3/4" PVC 4-3/4" L	1
3	300040	PIPE ELBOW 90° 3/4" PVC	1
4	300044	PIPE 3/4" PVC 3.0" L	1
5	1125	8-32 X 5/8 FSH BL	16
6	300011	PLATE VACUUM MANIFOLD EXT	1
7	300045	PIPE 3/4" PVC THREADED 13" L	1
8	900047	TUBE PVC CLEAR 1" X 4-5/8" L	1
9	300039	PIPE T 3/4" PVC	1
10	300042	PIPE 3/4" PVC THREADED 3-3/4" L	1
11	300010	PLATE MANIFOLD INLET	2
12	300009	PLATE VACUUM MANIFOLD	1

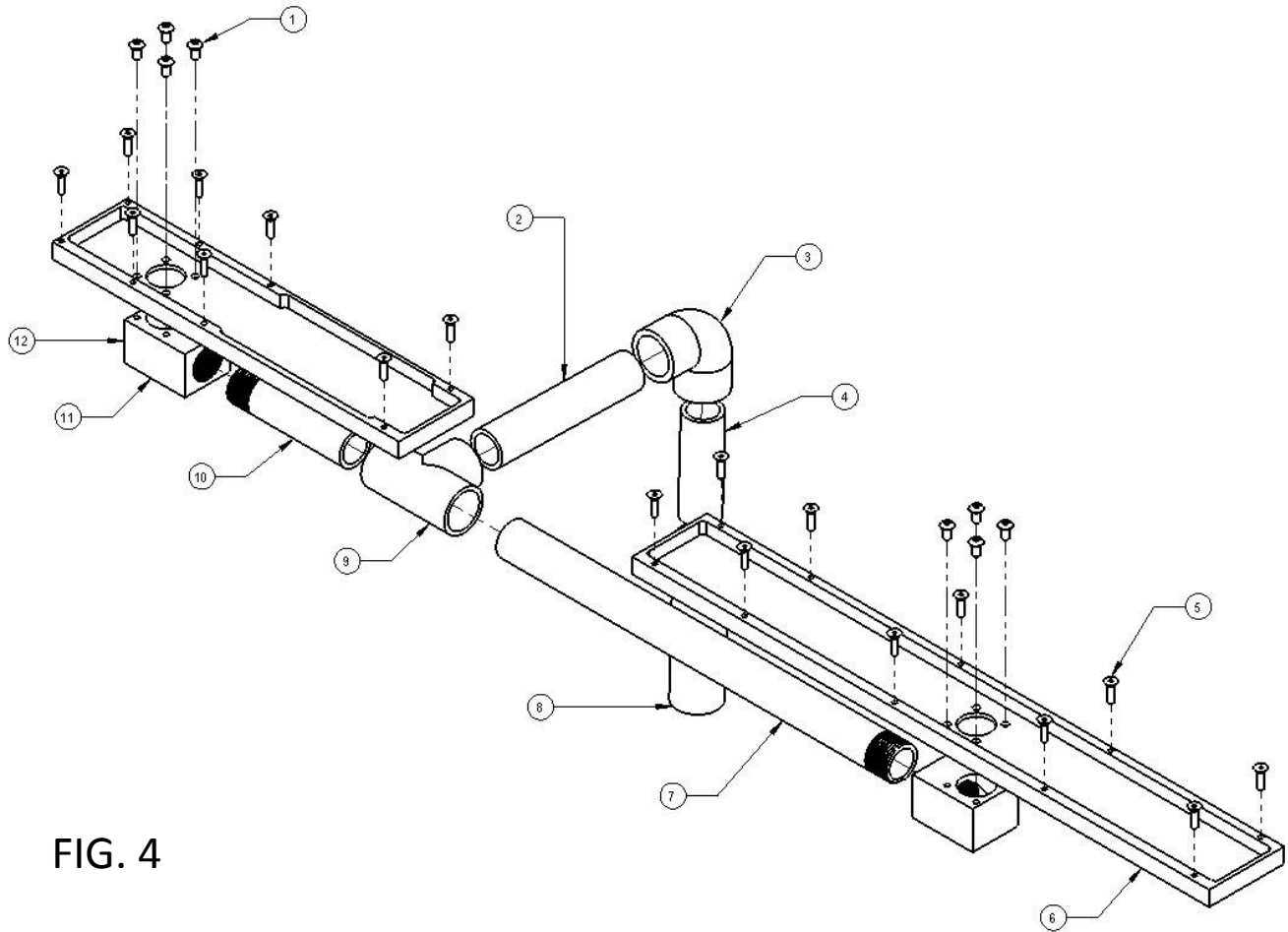


FIG. 4

Assembly Plate Switch IVB W/Rheostat

ITEM NO.	PART NUMBER	DESCRIPTION	QTY.
1	900014	PLATE SWITCH IVB 10x13 W/RHEOSTAT	1
2	100528	RHEOSTST VARIABLE 5K	1
3	100525	KIT FACE PLATE & KNOB	1
4	100516	SWITCH ROCKER DPDT ON/ON BLK	2
5	1137	8-32 X 1/4 BHCS BLK	4

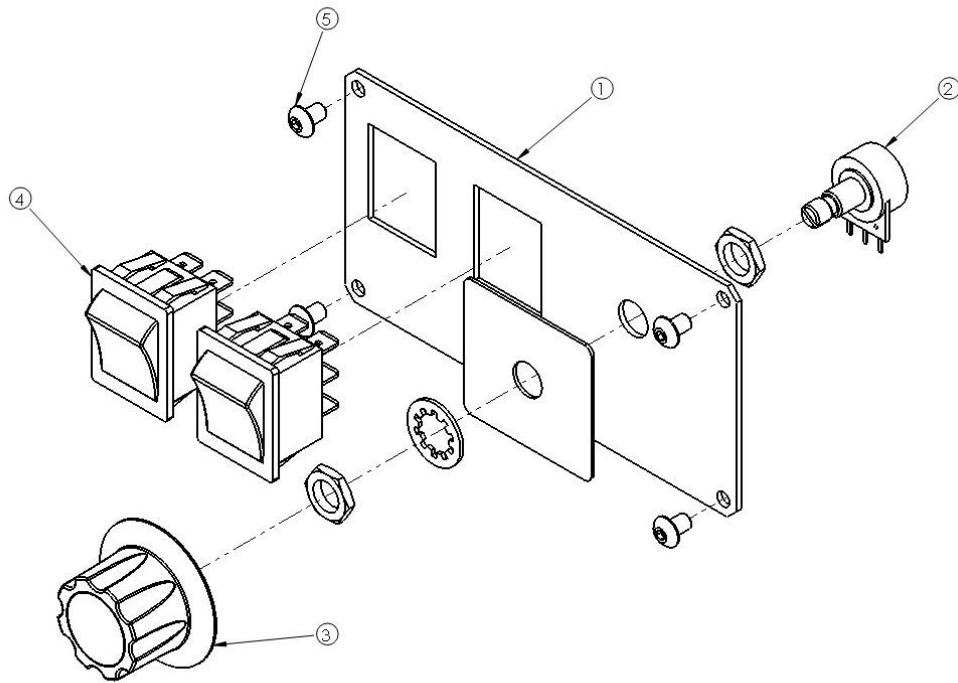


FIG. 5

Assembly Power Panel

ITEM NO.	PART NUMBER	DESCRIPTION	QTY.
1	300064	PANEL RECEPTICLE	1
2	300080	INLET AC W/SWITCH	1
3	1174	10-32 X 1/4 BHCS BLK	4
4	300081	HOLDER FUSE PANEL MOUNT	2
5	100522	FUSE GLASS 5 AMP	1
6	100523	FUSE GLASS 10 AMP	1
7	300083	OUTLET POWER AC	2

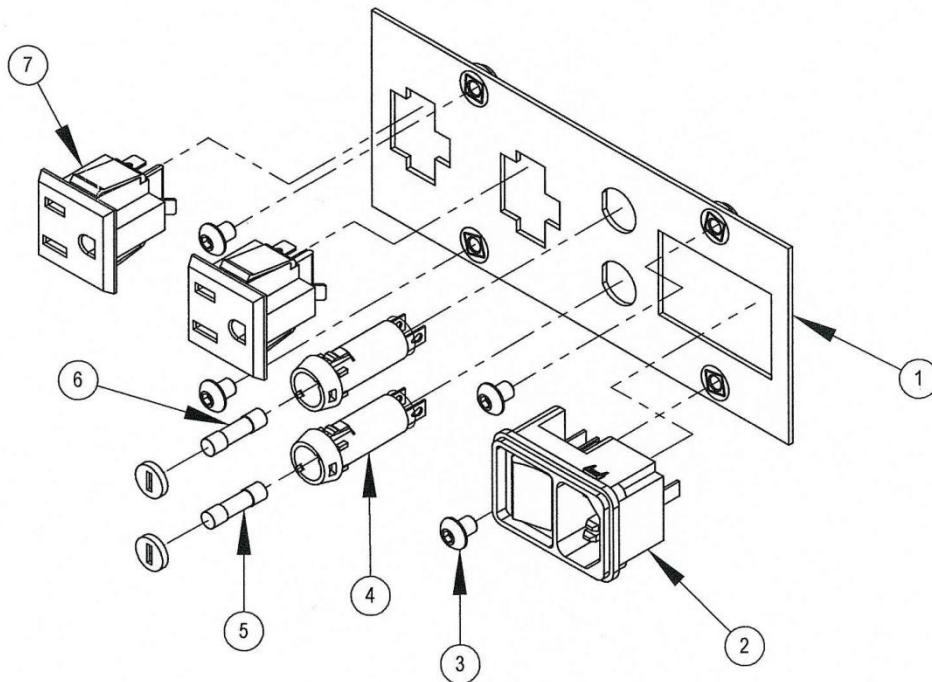


FIG. 6

Assembly Bottom

ITEM NO.	PART NUMBER	DESCRIPTION	QTY.
1	900122	CHASSIS MAIN 10X13 16"	1
2	1095	6-32 X 5/8 SHCS BLK	2
3	300084	BLOCK TERMINAL SURFACE MOUNT	1
4	1155	8-32 X 1/2 SHCS BLK	2
5	1280	3/8-16 X 3/4 BOLT W/ LOCKING FL	2
6	300072	MOTOR BLOWER FUJI 115 VAC	1
7	300077	ASSY WIRE HARNESS	1
8	4049	3/8-16 NUT JAM Z	6
9	300015	BRACKET SIDE GUIDE ADJ	6
10	300066	BRACKET WIRE HARNESS PLUG MTG	1
11	1150	8-32 X 3/8 SHCS BLK	2
12	300073	CONTROLLER MOTOR DRIVE DC	1

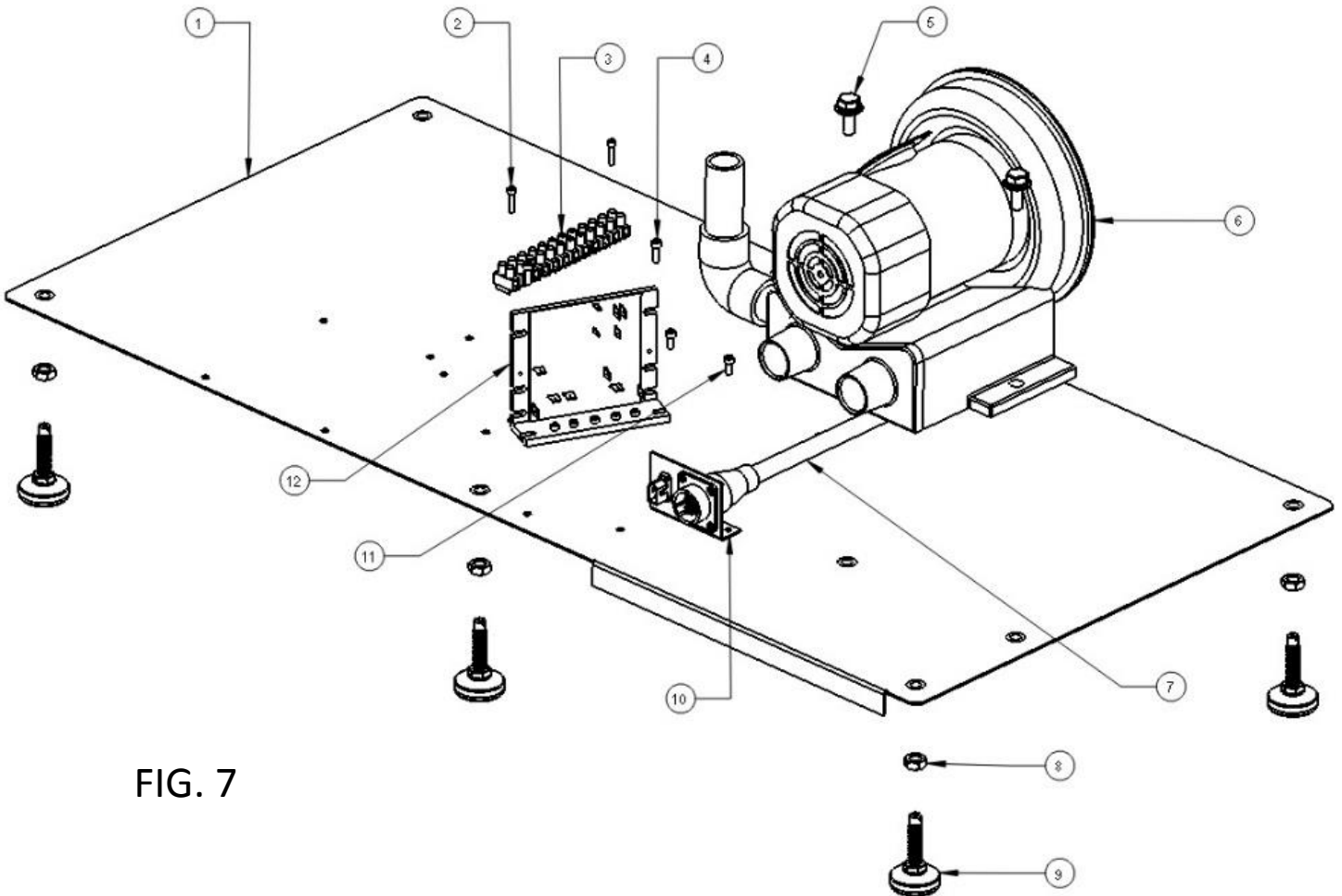


FIG. 7

Assembly Roller Input Feed

ITEM NO.	PART NUMBER	DESCRIPTION	QTY.
1	300116	ARM ROLLER INPUT FEED	1
2	300117	BUSHING ARM INPUT FEED RLR	2
3	4060	¼ WASHER Z	1
4	4061	¼ WASHER LOCK Z	1
5	8203	BEARING ROLLER R-4 DBL SEAL	1
6	300118	ROLLER INPUT FEED	1
7	1233	¼-20 X 5/8 BHCS BLK	1
8	1138	8-32 X 3/8 BHCS BLK	1
9	300115	COLLAR INPUT FEED ROLLER	1
10	1226	¼-20 X 3/8 SOC SET FP	1
11	300114	SPRING EXTENSION	1
12	300119	O-RING SQUARE INPUT FEED RLR	1
13	4020	8-32 NUT Z	1
14	4040	¼-20 JAM NUT Z	1
15	300029	SHAFT ROLLER INPUT FEED	1

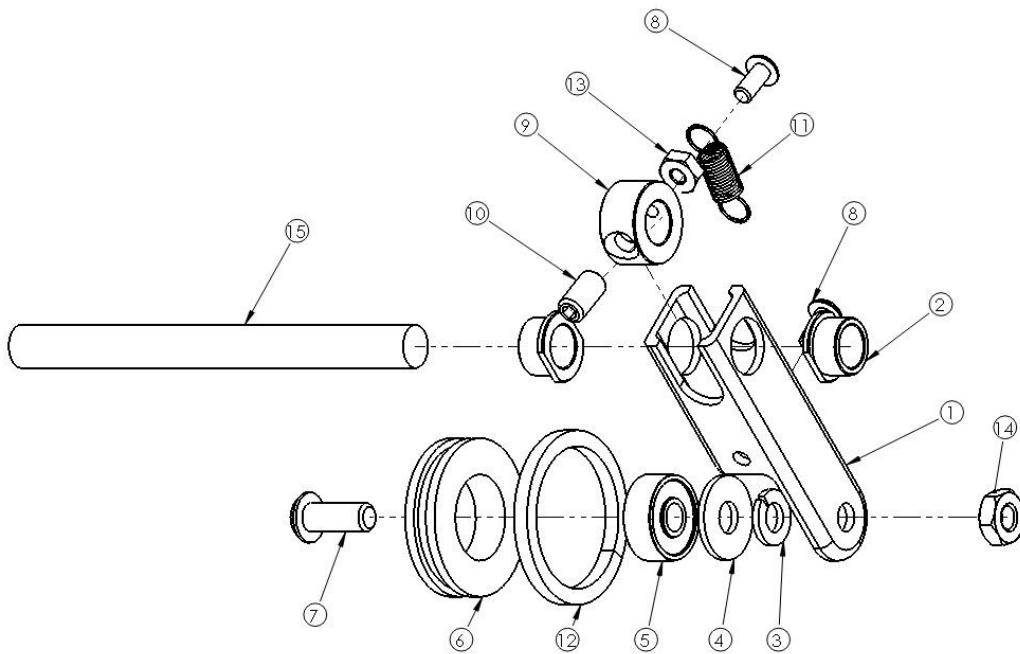


FIG. 8