

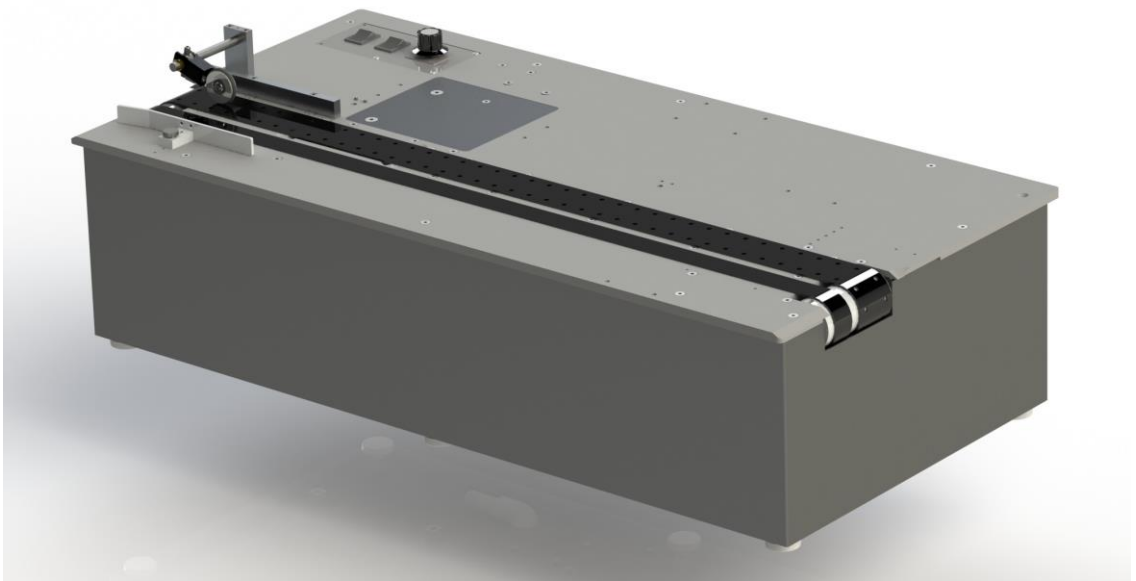


# POSTMATIC, INC.

*INLINE VACUUM BASE-EXTENDED*

*6"X 9"*

Parts Manual



## TABLE OF CONTENTS

### Inline Vacuum Base Extended 6 x 9 Assembly

Assembly Table Top Ext IVB .....	2
Assembly Table Top Ext IVB Fig. 1.....	3
Assembly Drive Ext.....	4
Assembly Drive Input .....	5
Assembly Drive Input Fig. 2.....	6
Assembly Drive Output Ext.....	7
Assembly Drive Output Ext. Fig. 3.....	8
Assembly Vacuum Manifold Ext.....	9
Assembly Plate Switch IVB-Ext.....	10
Assembly Panel Receptacle .....	11
Assembly Base Plate Ext Components.....	12
Assembly Roller Input Feed.....	13

## Assembly Table Top IVB Ext.

ITEM NO.	PART NUMBER	DESCRIPTION	QTY.
1	300503	PLATE TOP EXT IVB 6 X 9	1
2	4049	3/8-16 NUT JAM Z	6
3	300095	FOOT LEVELING 3/8-16	6
4	311059	CHASIS MAIN EXT WELDMENT	1
5	300091	BELT TRANSPORT EXT SET 74.75L	1
6	300017	GUIDE ENTRY ADJUST	1
7	300015	BRACKET SIDE GUIDE ADJUST	1
8	7095	KNOB THUMB SCREW #10	1
9	300113	ASSY ROLLER INPUT FEED	1
10	300029	SHAFT ROLLER INPUT FEED	1
11	1165	8-32 X 1-1/4 SHCS BLK	2
12	1224	10-24 X 1/4 SOC SET CUP PT BLK	1
13	300013	BRACKET RLR STANDOFF	1
14	1160	8-32 X 3/4 SHC BLK	2
15	300016	GUIDE ENTRY STATIONARY	1
16	311069	ASSY PLATE SWITCH IVB	1
17	1177	10-32 X 5/8 FHCS BLK	8
18	300063	PANEL REAR	1
19	1174	10-32 X 1/4 BHCS BLK	4

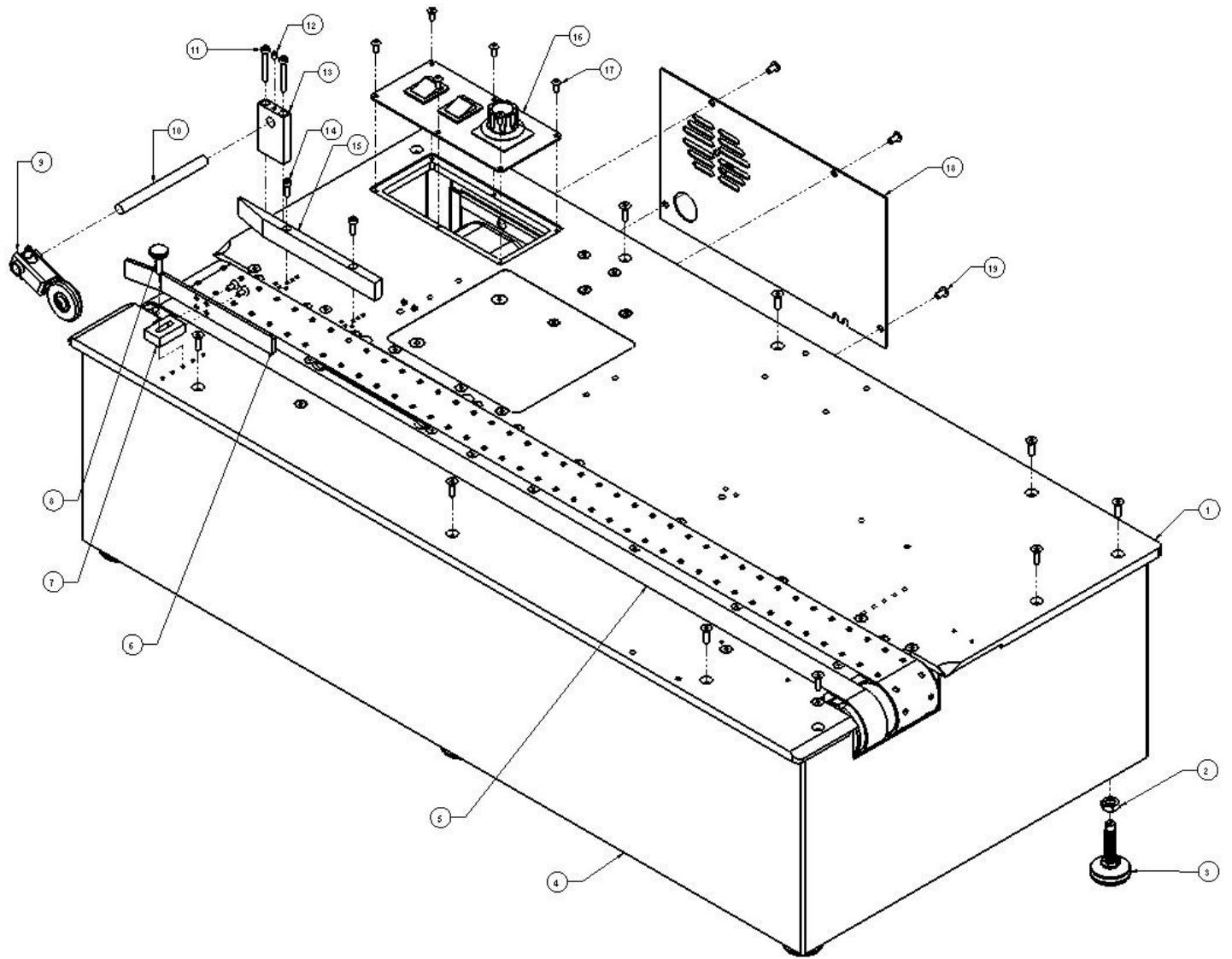
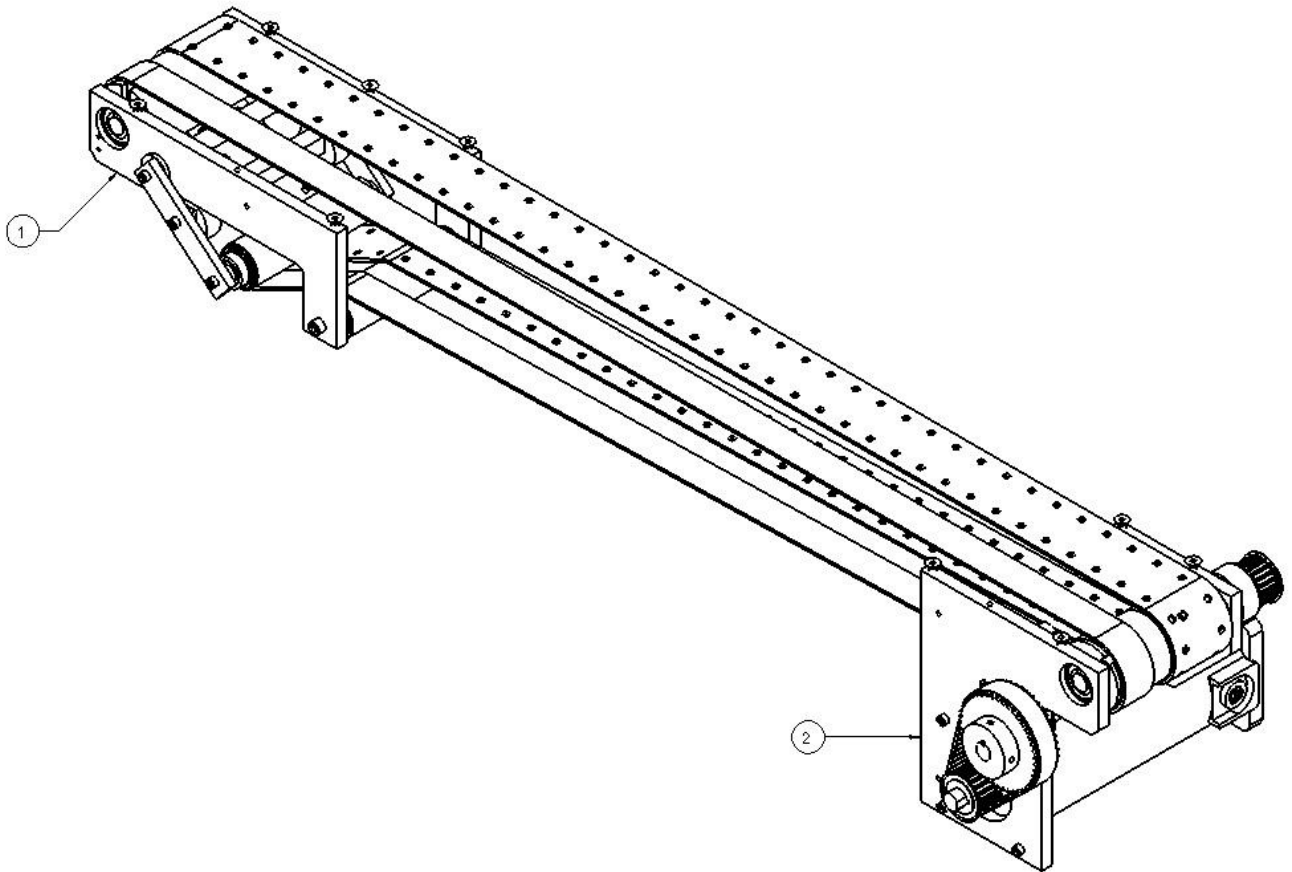


FIG. 1 Assembly Table Top Ext. IVB 6 X 9

ITEM NO.	PART NUMBER	DESCRIPTION	QTY.
1	See Fig. 2	DRIVE INPUT SUB ASSEMBLY	1
2	See Fig. 3	DRIVE OUTPUT SUB ASSEMBLY	1



Assembly Drive Ext.

## Assembly Drive Input

ITEM NO.	PART NUMBER	DESCRIPTION	QTY.
1	300007	PLATE INPUT LH/RH	2
2	8088	BUSHING FLANGED	2
3	1240	1/4-20 X 5/8 SHCS BLK	6
4	300023	CAM TENSIONER ECCENTRIC	2
5	8225	1/4-20 X 3/4 SHCS BLK	2
6	1245	BEARING SEALED 1/2 X 1-1/8 RNG	2
7	300021	ROLLER BELT TENSION	2
8	300035	SHAFT ROLLER IDLER	1
9	1224	10-24 X 1/4 SOC SET CUP PT BLK	4
10	300008	ARM BELT TENSIONER	2
11	300037	SHAFT CAM MOUNTING SQUARE	1
12	300036	SHAFT PIVOT/ROLLER IDLER	2
13	8224	BEARING 1/2 X 1-1/8 W/ COLLAR	4
14	300031	SHAFT ROLLER DRIVE	1
15	300020	ROLLER BELT DRIVE FLAT	1
16	5040	3/16 X 1-1/2 SPR PIN BLK	1
17	1178	10-24 X 5/8 FHCS BLK	6

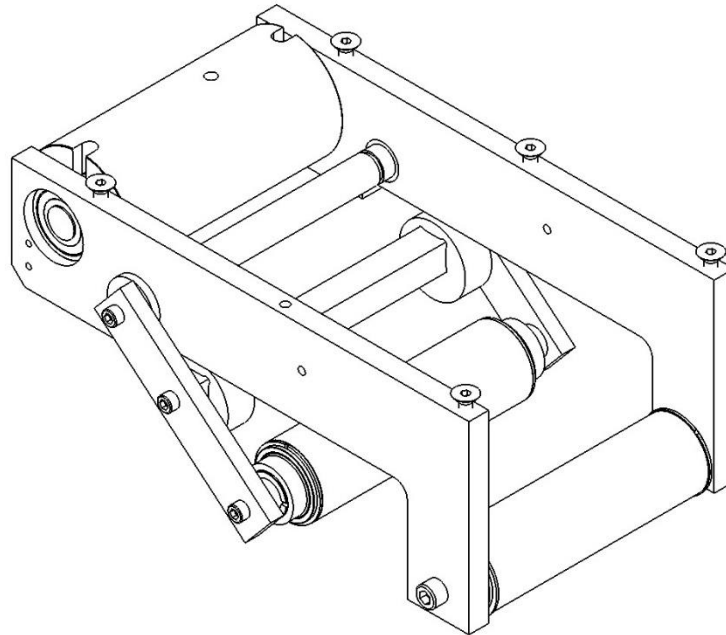
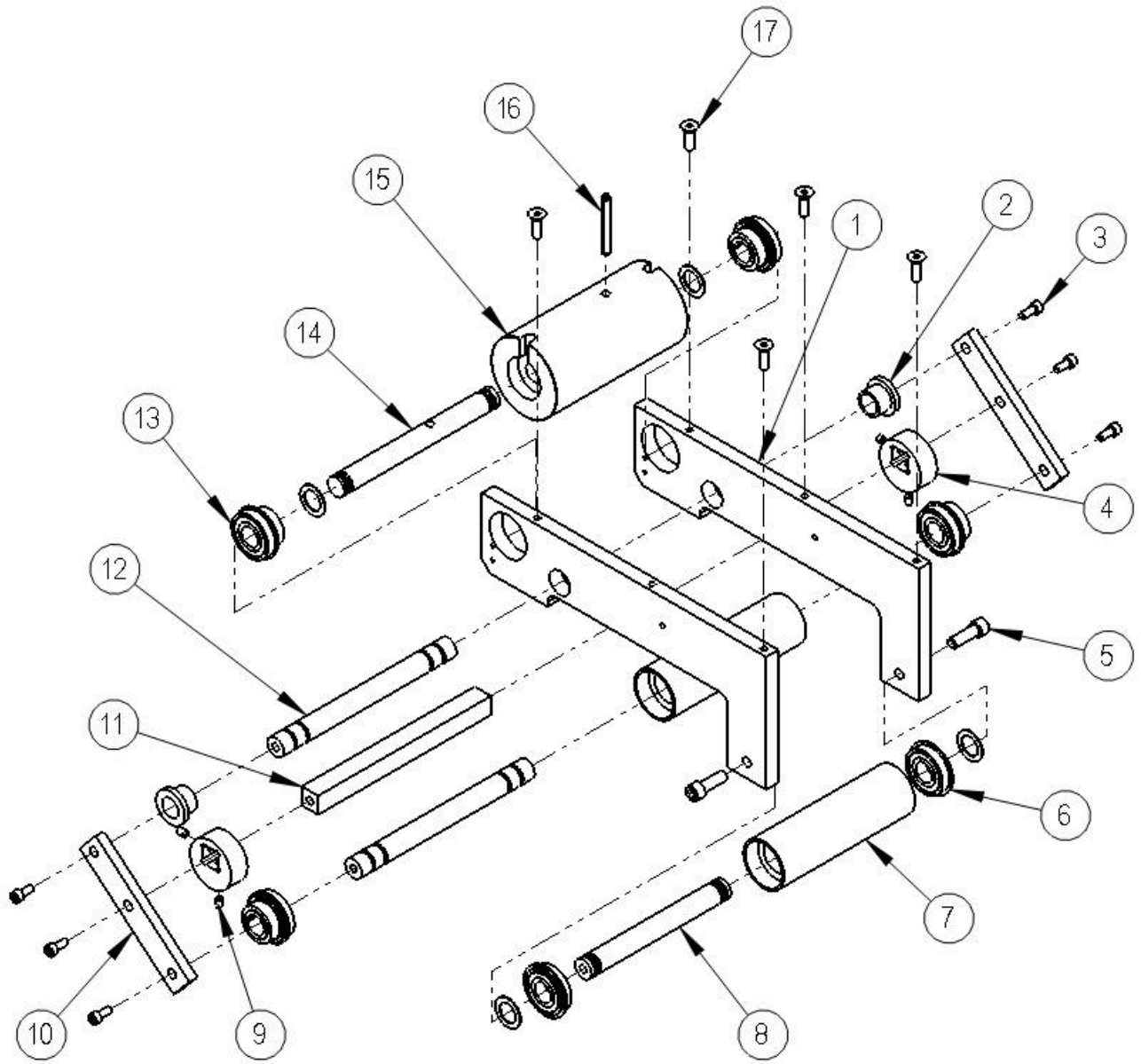
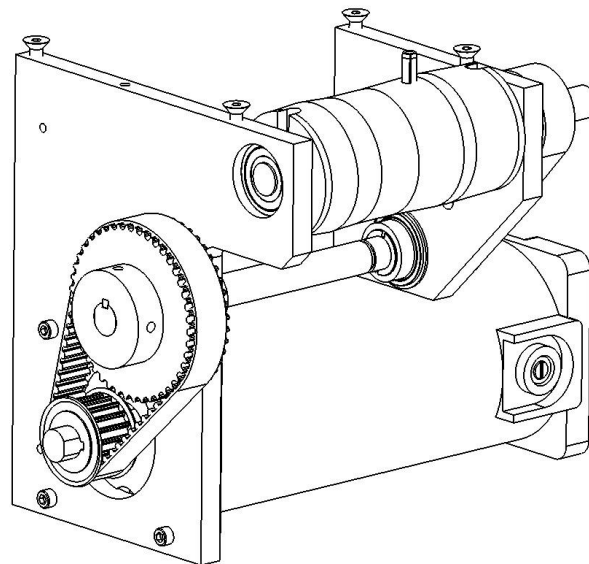


FIG. 2 Assembly Drive Input



## Assembly Drive Output Ext.

ITEM NO.	PART NUMBER	DESCRIPTION	QTY.
1	300070	MOTOR DRIVE 90 VDC 1/6 HP	1
2	8225	BEARING 1/2X1-1/8 W/COLLAR	4
3	300030	SHAFT JACK	1
4	300004	PLATE OUTPUT RH	1
5	1250	¼-20 X 1 SHCS BLK	3
6	300052	PULLEY TIMING 20HTD W/ HUB	1
7	300094	BELT TIMING HTD 5M60	1
8	5006	1/8 X 1/8 X ¼ SQ KEY	3
9	300056	PULLEY TIMING 44HTD W/HUB	1
10	1190	10-24 X 1/2 SHC BLK	2
11	300014	BRACKET BELT GUIDE	1
12	8022	½ X ¼ X .031 SHIM ROUND	2
13	1178	10-24 X 5/8 FHCS BLK	4
14	300032	SHAFT ROLLER DRIVEN	1
15	300022	ROLLER BELT DRIVE CROWNED	1
16	5040	3/16 X 1-1/2 SPR PIN BLK	1
17	8023	½ X 3/4 X .093 SHIM ROUND	6
18	300054	PULLEY TIMING 22HTD MACHINED	1
19	300093	BELT TIMING HTD 5M51	1
20	300051	PULLEY TIMING 18HTD W/O HUB	1
21	300003	PLATE OUPUT LH	1
22	8300	3/8 ORING (**NOT PICTURED**)	6





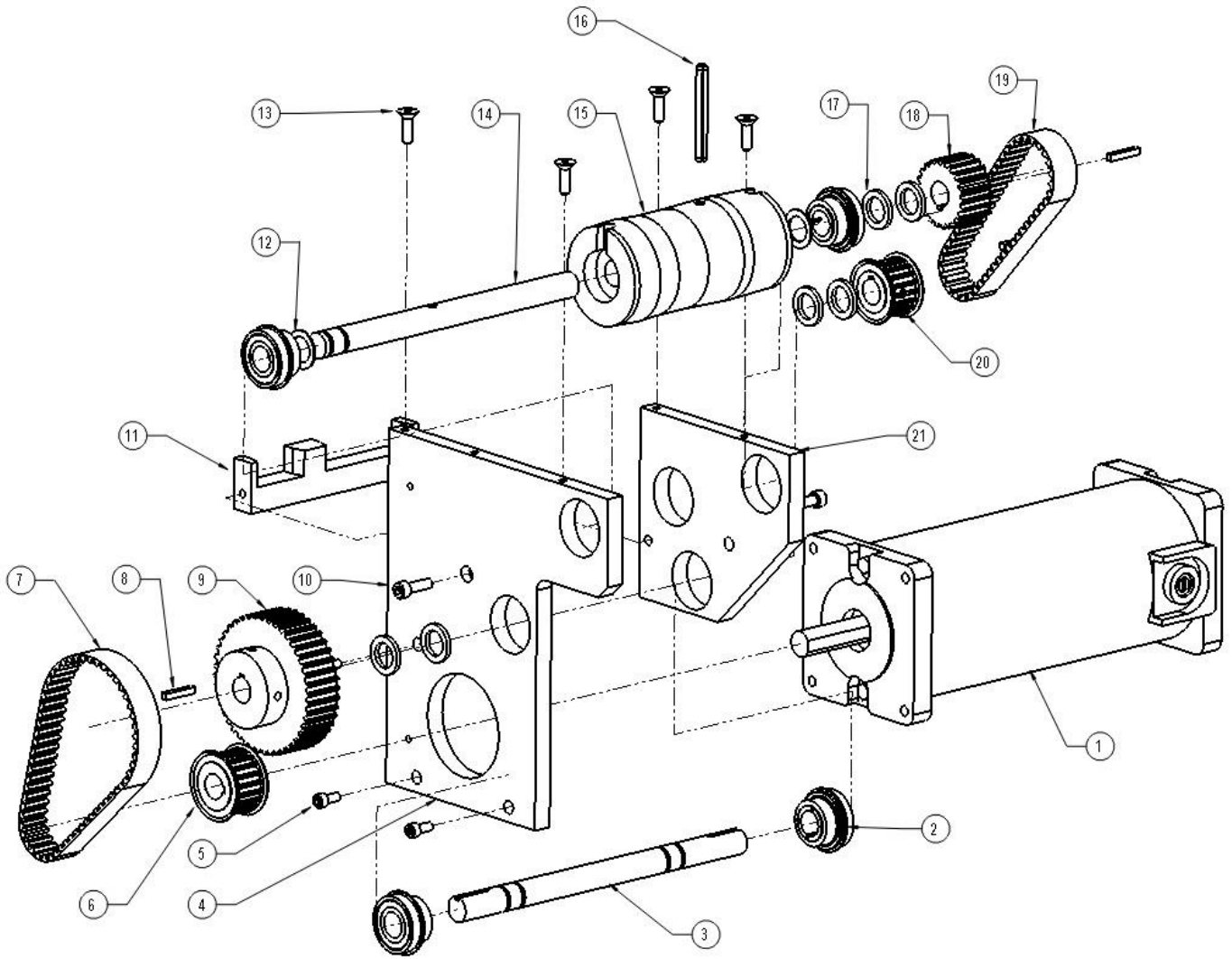


FIG. 3 Assembly Drive Output Ext.

## Assembly Vacuum Manifold Ext.

ITEM NO.	PART NUMBER	DESCRIPTION	QTY.
1	300009	PLATE VACUUM MANIFOLD	1
2	300044	PIPE 3/4 PVC 3.0"L	2
3	300041	PIPE ELBOW 45 DEGREE 3/4 PVC	1
4	300046	PIPE 3/4 PVC 2-1/8" L	1
5	300047	TUBE PVC CLEAR 1" X 3-3/8"L	1
6	300043	PIPE 3/4 PVC THREADED 2-1/2"L	2
7	300040	PIPE ELBOW 90 DEGREE 3/4 PVC	1
8	1220	10-24 X 3/8 BHCS BLK	8
9	1125	8-32 X 5/8 FHCS BLK	16
10	300011	PLATE VAC MANIFOLD EXT	1
11	300010	PLATE MANIFOLD INLET	2
12	300045	PIPE 3/4 PVC THREADED 13"L	1
13	300039	PIPE T 3/4 PVC	1
14	300042	PIPE 3/4 PVC THREADED 3-3/4"L	1

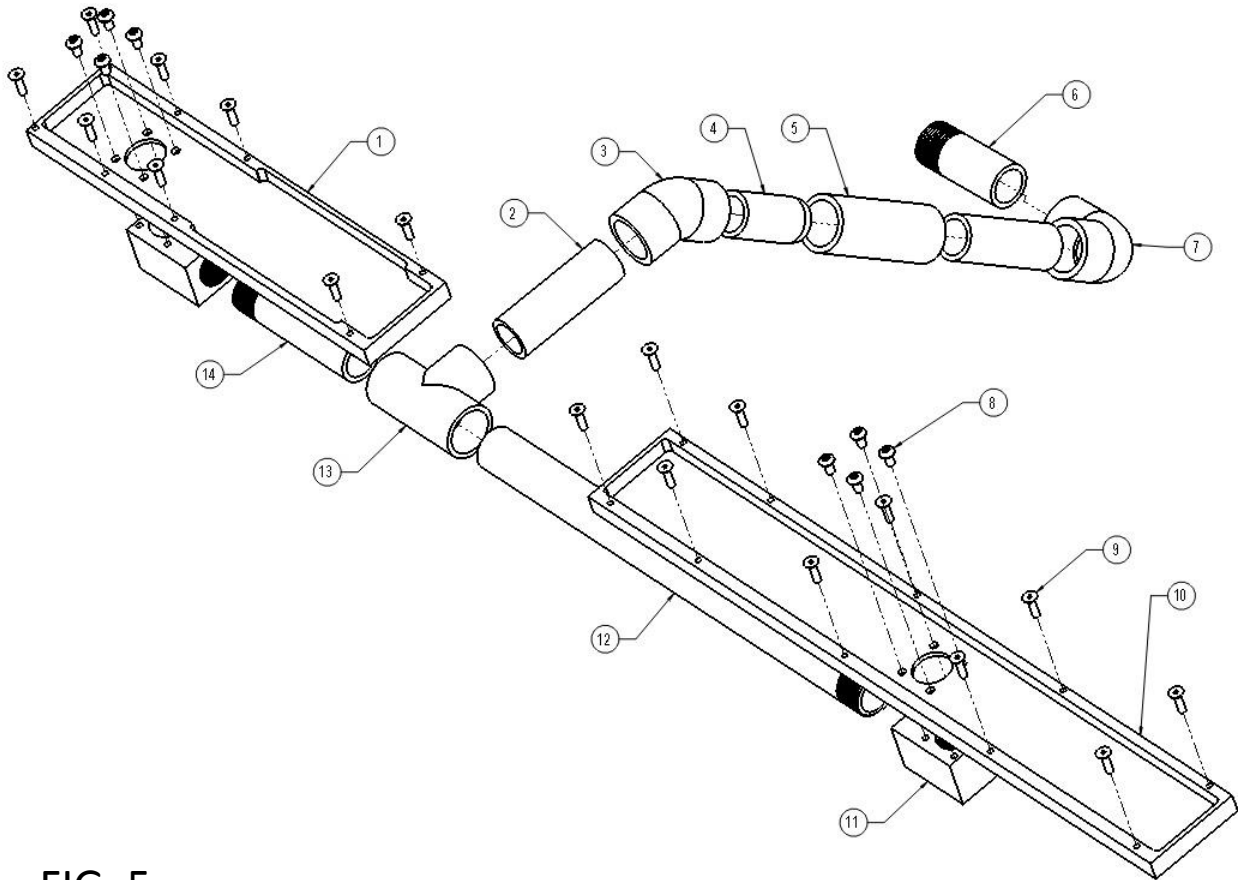


FIG. 5

### 311065 Assembly Plate Switch IVB Ext.

ITEM NO.	PART NUMBER	DESCRIPTION	QTY.
1	300065	PLATE SWITCH IVB	1
2	100528	RHEOSTST VARIABLE 5K	1
3	100525	KIT FACE PLATE & KNOB	1
4	100515	ON / OFF SWITCH ROCKER	2
5	1150	8-32 X 3/8 SHC BLK	6

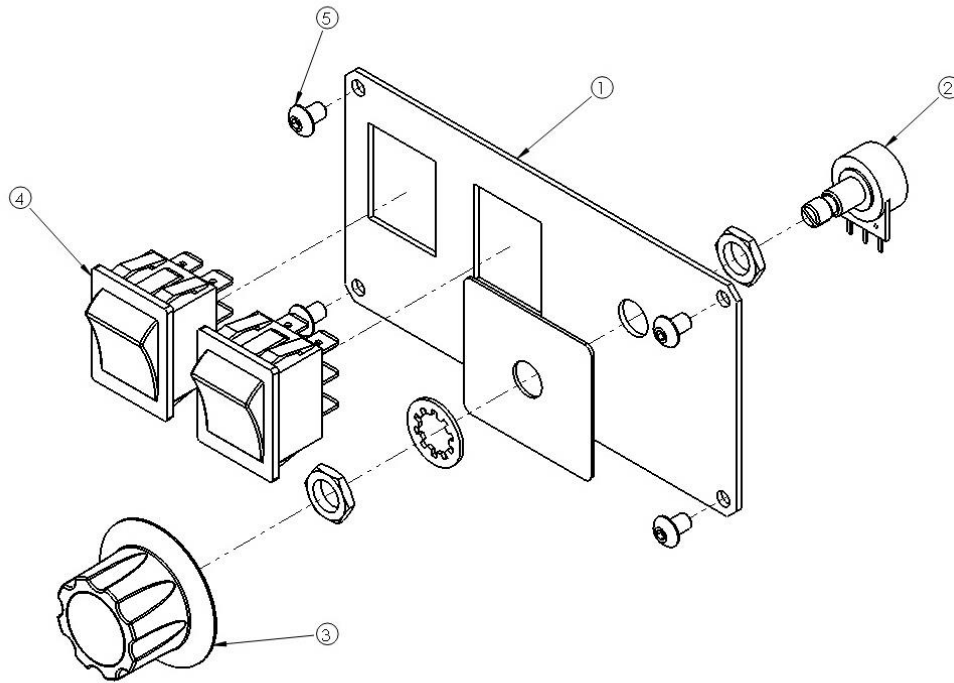


FIG. 6

## Assembly Panel Receptacle

ITEM NO.	PART NUMBER	DESCRIPTION	QTY.
1	300064	PANEL RECEPTICLE	1
2	300080	INLET AC W/SWITCH	1
3	1174	10-32 X 1/4 BHCS BLK	4
4	300081	HOLDER FUSE PANEL MOUNT	2
5	100522	FUSE GLASS 5 AMP	1
6	100523	FUSE GLASS 10 AMP	1
7	300083	OUTLET POWER AC	2

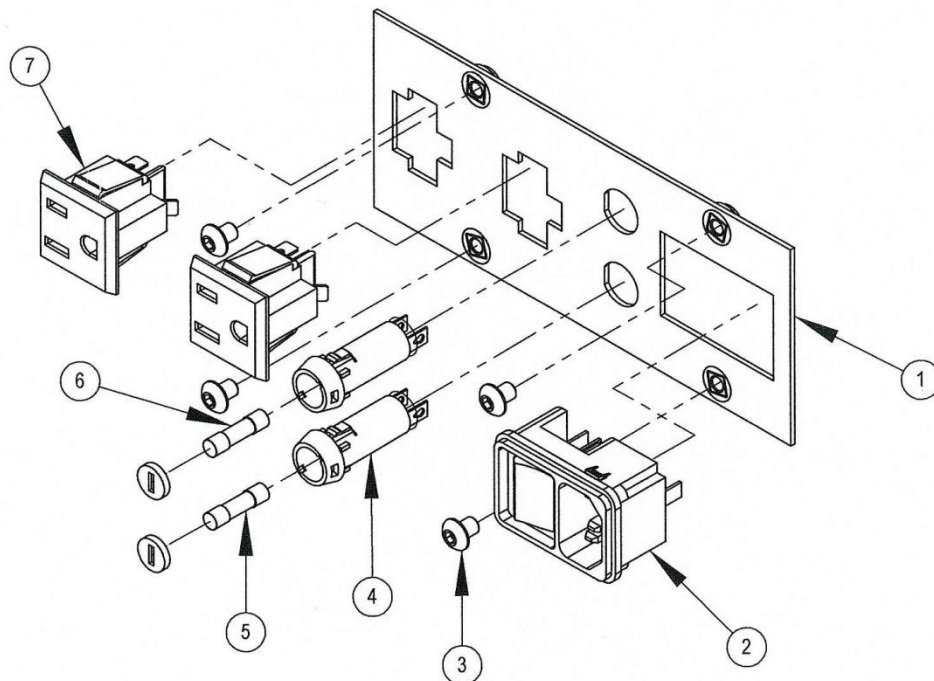


FIG. 7

## Assembly Base Plate Ext. Components

ITEM NO.	PART NUMBER	DESCRIPTION	QTY.
1	311059	CHASSIS WELMENT IVB EXT	1
2	1082	6-32 X 5/8 SHC BLK	2
3	300084	BLOCK TERMINAL SURFACE MOUNT	1
4	1155	8-32 X 1/2 SHC BLK	2
5	1280	3/8-16 X 3/4 BOLT W / LOCKING FL	2
6	300072	MOTOR BLOWER FUJI 115VAC	1
7	300077	ASSY WIRE HARNESS MALE/FEMALE	1
8	4049	3/8-16 NUT JAM Z	6
9	300095	FOOT LEVELING 3/8-16 X 1-1/2	6
10	300058	BRACKET WIRE HARNESS PLUG MTG	1
11	1150	8-32 X 3/8 SHC BLK	2
12	300073	CONTROLLER MOTOR DRIVE DC	1
13	1082	6-32 X 5/8 SHC BLK	2
14	1155	8-32 X 1/2 SHCS BLK	2
15	1280	3/8-16 X 3/4 BOLD W/ LOCKING FL	2

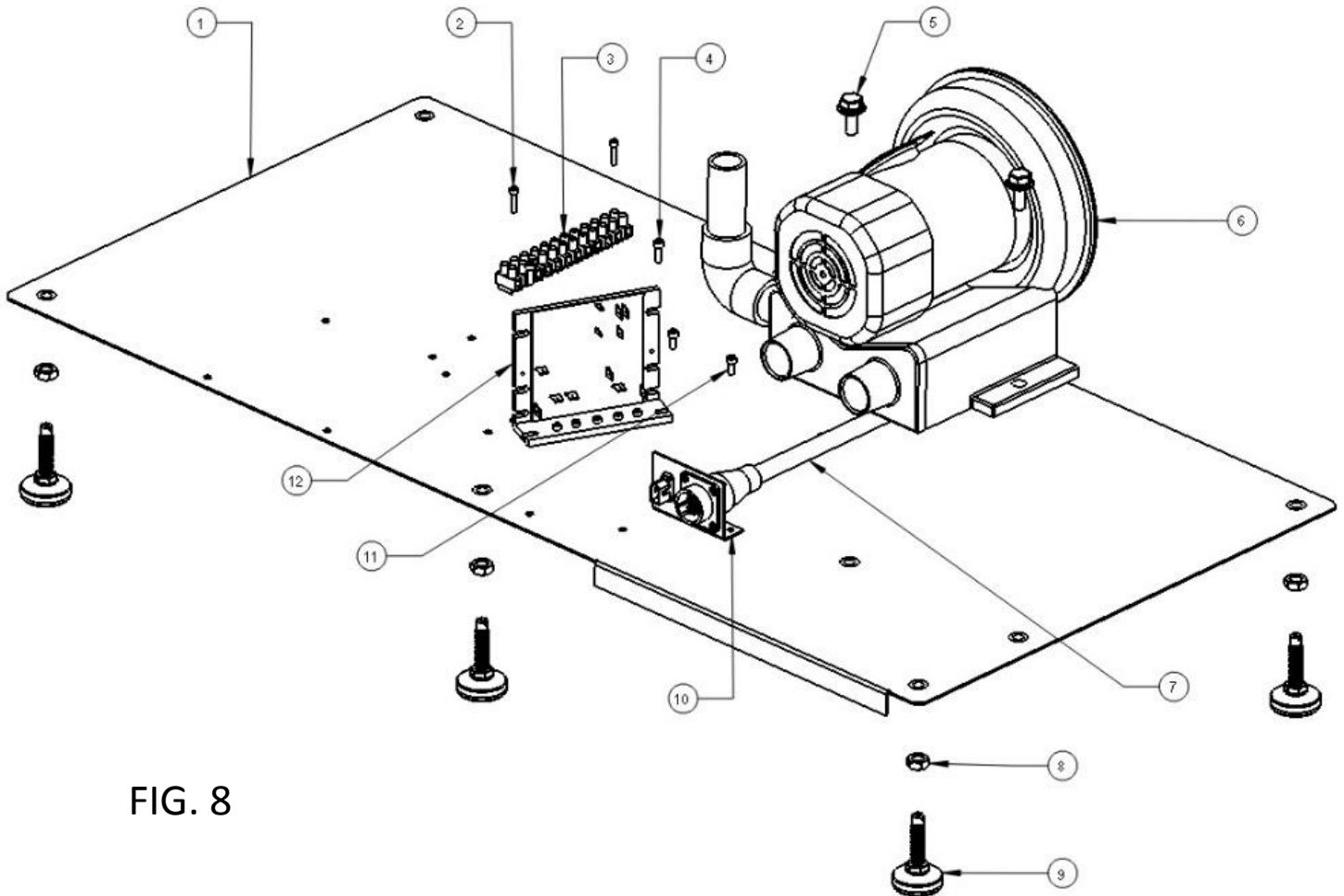


FIG. 8

## Assembly Roller Input Feed

ITEM NO.	PART NUMBER	DESCRIPTION	QTY.
1	300116	ARM ROLLER INPUT FEED	1
2	300117	BUSHING ARM INPUT FEED RLR	2
3	4060	¼ WASHER Z	1
4	4061	¼ WASHER LOCK Z	1
5	8203	BEARING ROLLER R-4 DBL SEAL	1
6	300118	ROLLER INPUT FEED	1
7	1233	¼-20 X 5/8 BHCS BLK	1
8	1138	8-32 X 3/8 BHCS BLK	1
9	300115	COLLAR INPUT FEED ROLLER	1
10	1226	¼-20 X 3/8 SOC SET FP	1
11	300114	SPRING EXTENSION	1
12	300119	O-RING SQUARE INPUT FEED RLR	1
13	4020	8-32 NUT Z	1
14	4040	¼-20 JAM NUT Z	1
15	300029	SHAFT ROLLER INPUT FEED	1

