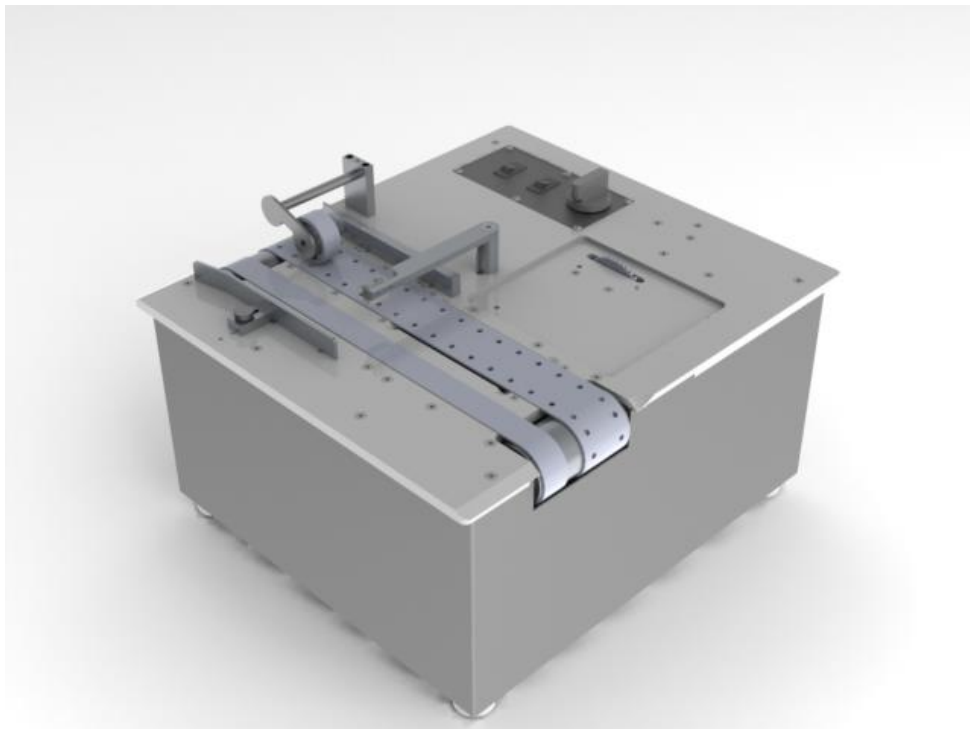




# POSTMATIC, INC.

## *INLINE STAMPING BASE-STD*

To accommodate Model 6000SA Stamp Affixer  
Parts Manual



Postmatic, Inc.

9405 Holly Street Ste D

Minneapolis, MN 55433

Phone 763-784-6046

Toll Free 888-784-6046

Fax 763-784-9433

## TABLE OF CONTENTS

### Inline Stamping Base Assembly

Assembly Table Top STD M6 .....	2
Assembly Table Top STD M6 Fig. 1.....	3
Assembly Drive .....	4
Assembly Drive Input .....	5
Assembly Drive Input Fig. 2.....	6
Assembly Drive Output .....	7
Assembly Drive Output Fig. 3.....	8
Assembly Clutch Drive M6 .....	9
Assembly Clutch Drive M6 Fig. 4.....	10
Assembly Vacuum Manifold .....	11
Assembly Plate Switch ISB.....	12
Assembly Panel Receptacle .....	13
Assembly Base Plate Components .....	14
Assembly Roller Input Feed.....	15

## Assembly Table Top STD M6

ITEM NO.	PART NUMBER	DESCRIPTION	QTY.
1	300501	PLATE TOP M6	1
2	300019	STAND OFF SENSOR ARM	2
3	1157	8-32 X 5/8 SHCS BLK	4
4	311060	CHASIS MAIN STD WELDMENT	1
5	300090	BELT TRANSPORT SET 34.75L	1
6	300074	SENSOR PRODUCT INPUT	1
7	1061	5-40 X 1/2 SHCS BLK	2
8	300015	BRACKET SIDE GUIDE ADJUST	1
9	1200	10-24 X 3/4 SHCS BLK	1
10	300017	GUIDE ENTRY ADJUST	1
11	1177	10-32 X 5/8 FHCS BLK	8
12	7095	KNOB THUMB SCREW #10	1
13	1115	8-32 X 3/8 FHCS BLK	2
14	300113	ASSY ROLLER INPUT FEED	1
15	300016	GUIDE ENTRY STATIONARY	1
16	300029	SHAFT ROLLER INPUT FEED	1
17	300013	BRACKET RLR STANDOFF	1
18	1224	8-32 X 1/4 SHCS BLK	1
19	1165	8-32 X 1-1/4 SHCS BLK	2
20	1135	8-32 X 1 FHCS BLK	2
21	300018	ARM SENSOR MOUNTING	1
22	1236	1/4-20 X 3/4 FHCS BLK	1
23	1137	8-32 X 1/4 BHCS BLK	6
24	311065	ASSEMBLY PLATE SWITCH ISB	1
25	1174	10-32 X 1/4 BHCS BLK	4
26	300063	PANEL REAR	1

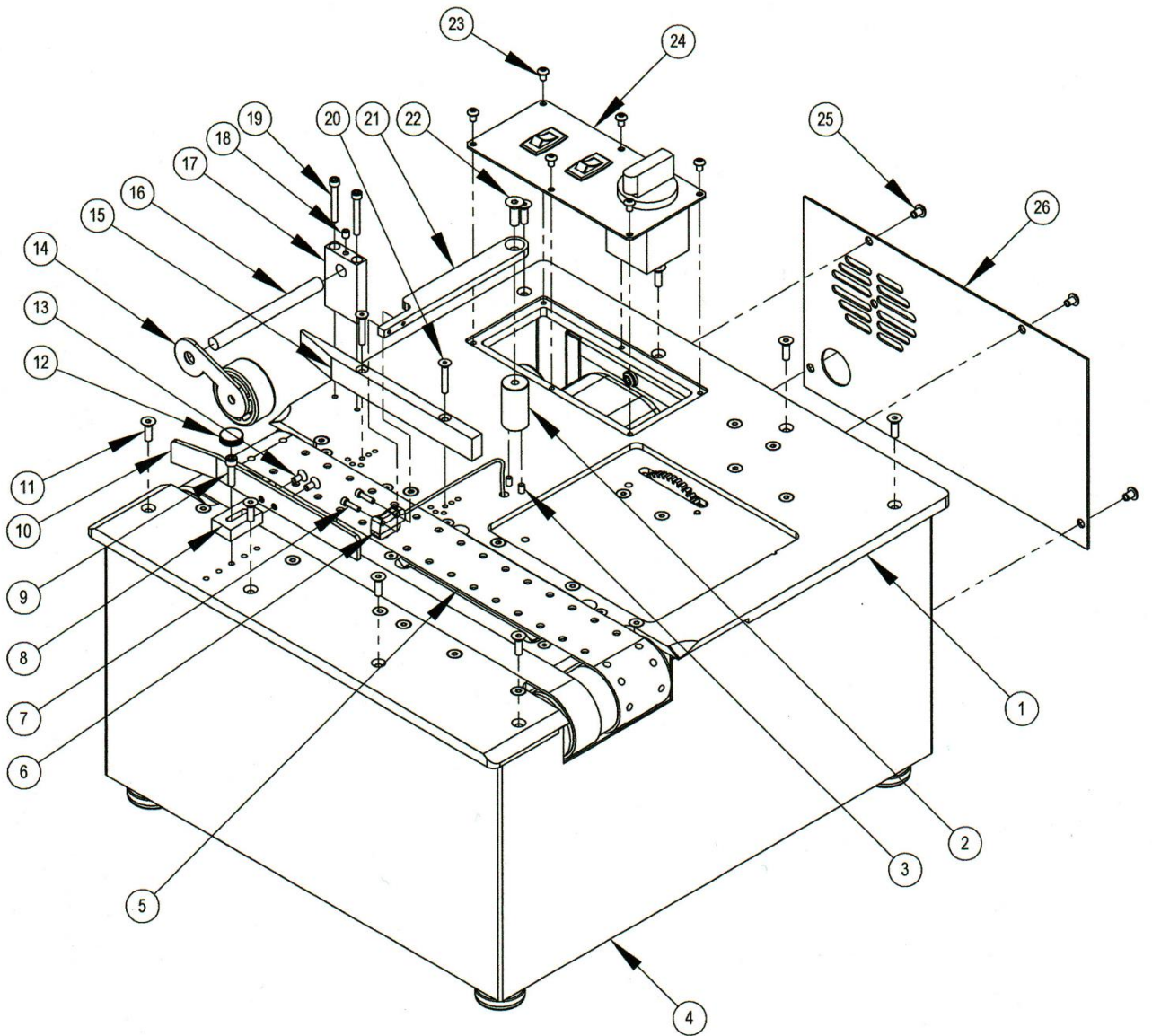
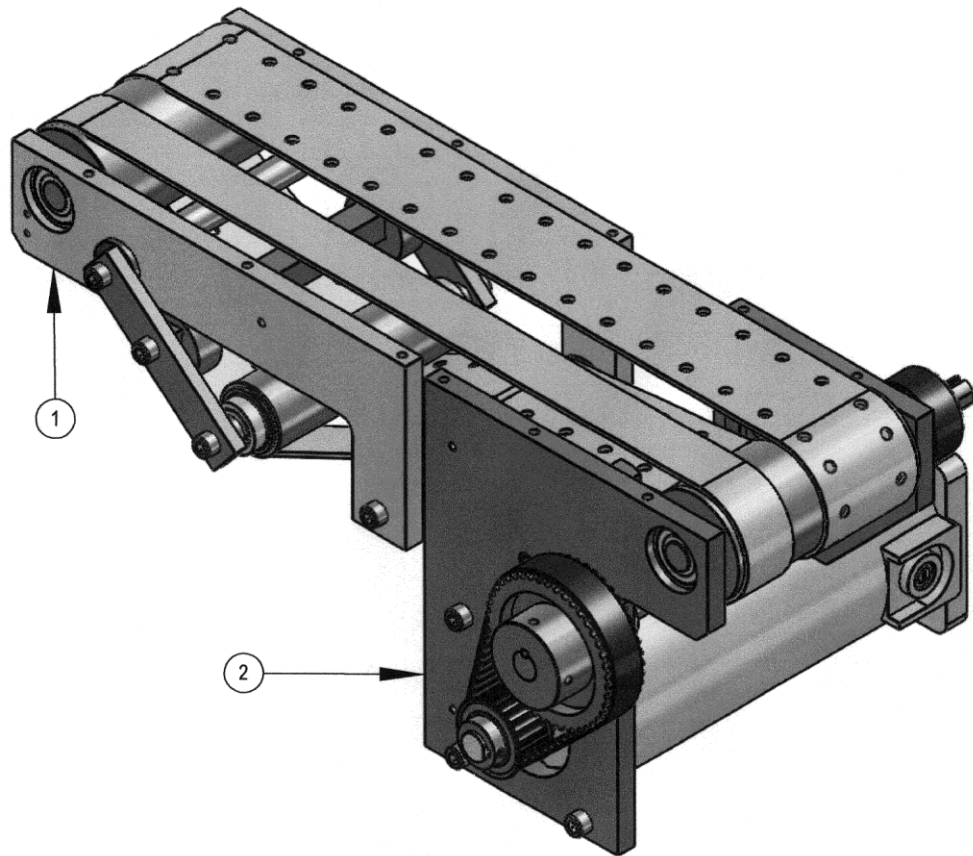


FIG. 1 Assembly Table Top STD M6

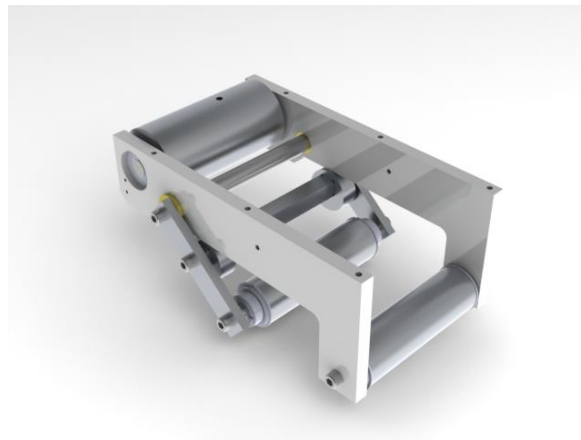
ITEM NO.	PART NUMBER	DESCRIPTION	QTY.
1	See Fig. 2	DRIVE INPUT SUB ASSEMBLY	1
2	See Fig. 3	DRIVE OUTPUT SUB ASSEMBLY	1



Assembly Drive

## Assembly Drive Input

ITEM NO.	PART NUMBER	DESCRIPTION	QTY.
1	300007	PLATE INPUT LH/RH	2
2	8088	BUSHING FLANGED	2
3	1240	1/4-20 X 5/8 SHCS BLK	6
4	300023	CAM TENSIONER ECCENTRIC	2
5	8225	BEARING 1/2 X 1-1/8 W/COLLAR	2
6	1245	1/4-20 X 3/4 SHCS BLK	2
7	300021	ROLLER BELT TENSION	2
8	300035	SHAFT ROLLER IDLER	1
9	1224	10-24 X 1/4 SOC SET CUP PT BLK	4
10	300008	ARM BELT TENSIONER	2
11	300037	SHAFT CAM MOUNTING SQUARE	1
12	300036	SHAFT PIVOT/ROLLER IDLER	2
13	8224	BEARING SEALED 1/2 X 1-1/8 RNG	4
14	300031	SHAFT ROLLER DRIVE	1
15	300020	ROLLER BELT DRIVE FLAT	1
16	5040	3/16 X 1-1/2 SPR PIN BLK	1
17	1178	10-24 X 5/8 FHCS BLK	6



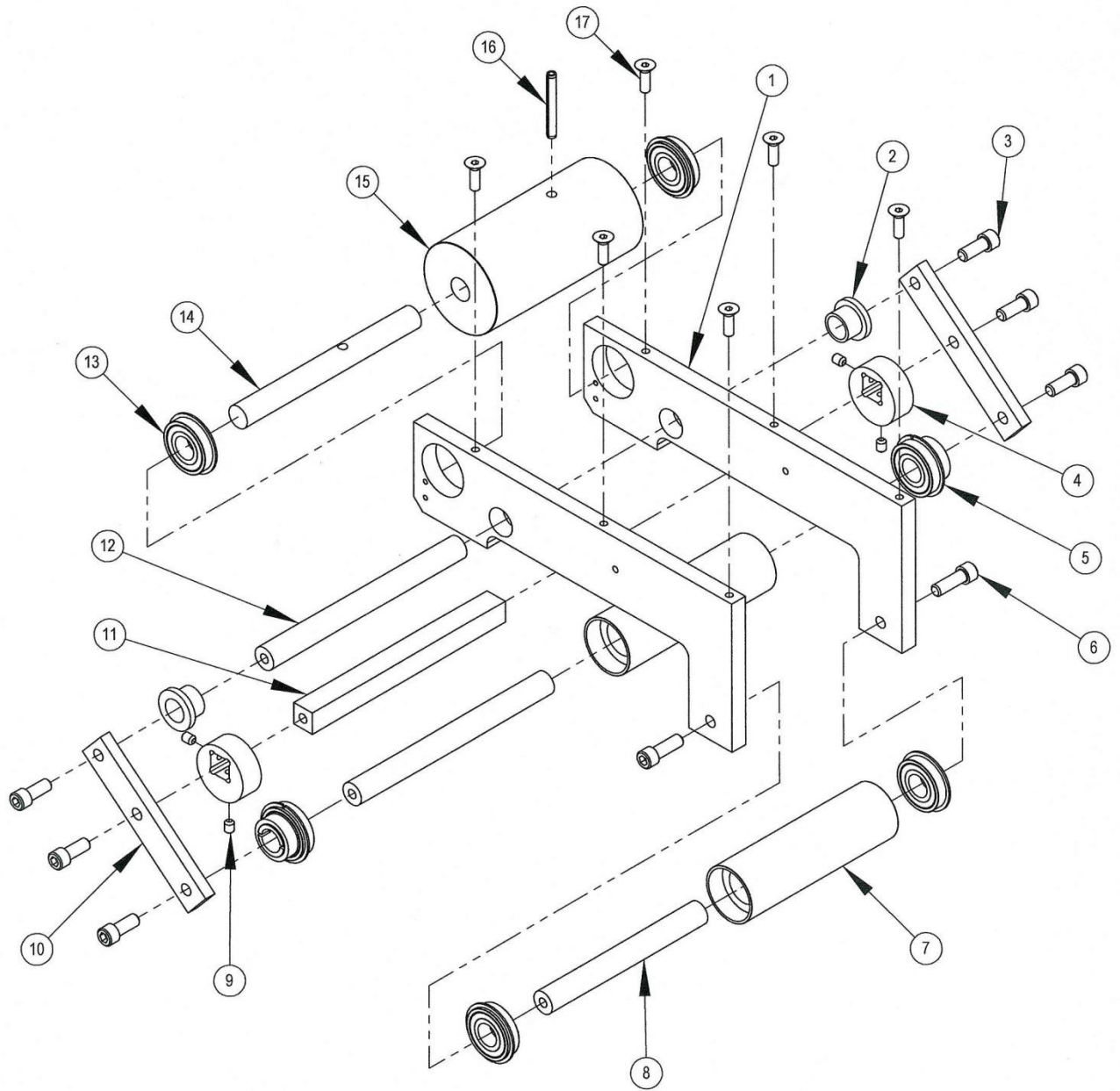


FIG. 2 Assembly Drive Input

## Assembly Drive Output

ITEM NO.	PART NUMBER	DESCRIPTION	QTY.
1	300070	MOTOR DRIVE 90 VDC 1/6 HP	1
2	1195	10-24 X 5/8 SHCS BLK	2
3	300003	PLATE OUTPUT LH	1
4	8023	1/2 X 3/4 X .093 SHIM ROUND	6
5	8225	BEARING 1/2 X 1-1/8 W/COLLAR	2
6	5006	1/8 X 1/8 X 3/4 SQ KEY	2
7	300030	SHAFT JACK	1
8	1245	1/4-20 X 3/4 SHCS BLK	3
9	300052	PULLEY TIMING 20HTD W/ HUB	1
10	300094	BELT TIMING HTD 5M60	1
11	300056	PULLEY TIMING 44HTD W/HUB	1
12	300014	BRACKET BELT GUIDE	1
13	300004	PLATE OUTPUT RH	1
14	8224	BEARING SEALED 1/2 X 1-1/8 RNG	2
15	300032	SHAFT ROLLER DRIVEN	1
16	5007	1/8 X 1/8 X 1-1/4 SQ KEY	1
17	1178	10-24 X 5/8 FHCS BLK	5
18	300022	ROLLER BELT DRIVE CROWNED	1
19	5040	3/16 X 1-1/2 SPR PIN BLK	1
20	300051	PULLEY TIMING 18HTD W/O HUB	1
21	300054	PULLEY TIMING 22HTD MACHINED	1
22	1170	8-32 X 1/4 SOC SET CUP PT BLK	2
23	300093	BELT TIMING HTD 5M51	1





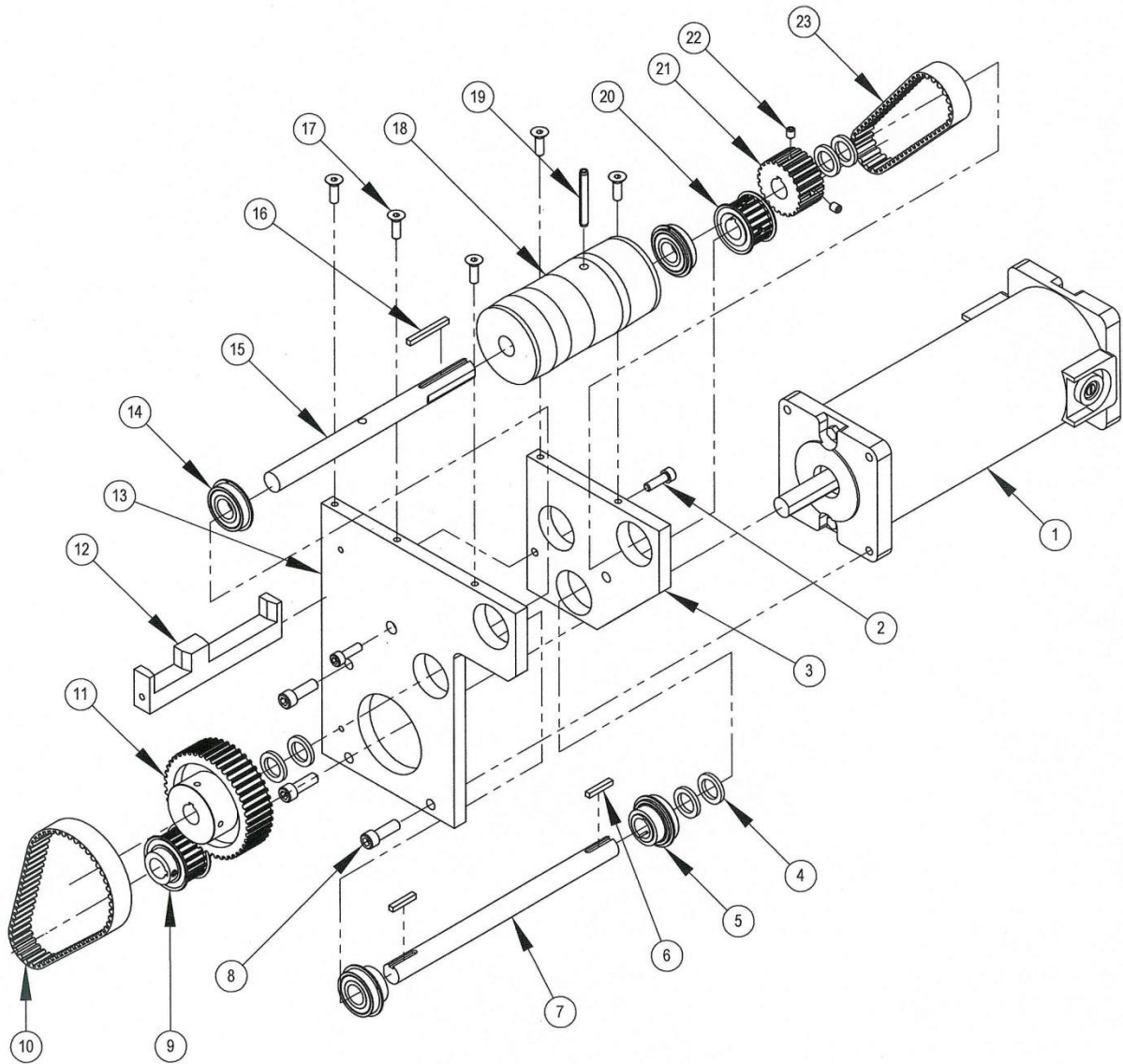


FIG. 3 Assembly Drive Output

## Assembly Clutch Drive M6

ITEM NO.	PART NUMBER	DESCRIPTION	QTY.
1	300005	PLATE CLUTCH SHAFT	1
2	1224	8-32 X 1/4 SOC SET CUP	2
3	300054	PULLEY TIMING 22HTD MACHINED	1
4	300092	BELT TIMING HTD 5M46	1
5	300071	CLUTCH WRAP SPRING 1-STOP	1
6	300033	SHAFT CLUTCH	1
7	300053	PULLEY TIMING 20HTD W/O HUB	1
8	300049	PULLEY TIMING 28HTD W/O HUB	1
9	300093	BELT TIMING HTD 5M51	1
10	1176	10-32 X 1 BHSC BLK	3
11	8220	BEARING SHIELDED R6-5ZZ	1
12	1230	1/4-20 X 1/2 SOC SET KC	1
13	300006	PLATE GEAR SHAFT	2
14	700015	GEAR HUB	1
15	600024	DRIVE GEAR	1
16	1177	10-32 X 5/8 FHCS BLK	2
17	5015	3/16 X 13/32 SQ KEY	1
18	5006	1/8 X 1/8 X 3/4 SQ KEY	2
19	300034	SHAFT GEAR DRIVE	1
20	300055	PULLEY TIMING 22HTD W/HUB	1
21	8225	BEARING 1/2X1-1/8 W/COLLAR	4
22	1138	8-32 X 1/4 BHCS BLK	2
23	300097	PAD CLUTCH CUSHION	1
24	5069	3/8" GRIP RING	1
25	8205	ROLLER BEARING R-6 DBL SEAL	2
26	300026	TENSIONER BELT .400"	1
27	1178	10-24 X 5/8 FHCS BLK	6
28	1184	10-32 X 5/8 SHCS BLK	1

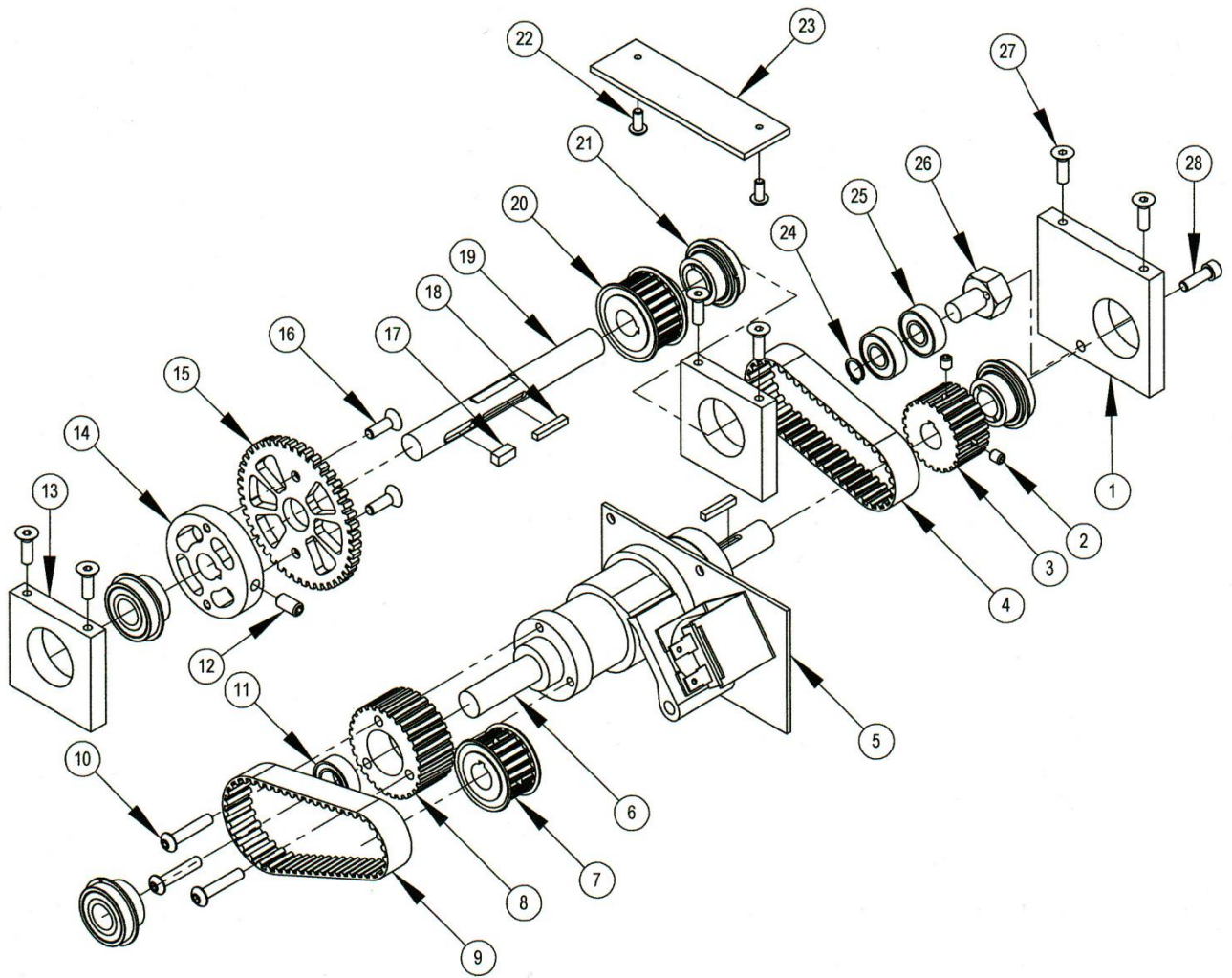


FIG. 4 Assembly Clutch Drive M6

## Assembly Vacuum Manifold

ITEM NO.	PART NUMBER	DESCRIPTION	QTY.
1	300009	PLATE VACUUM MANIFOLD	1
2	300041	PIPE ELBOW 45 DEGREE 3/4 PVC	1
3	4046	NUT LOCK STEEL 3/4 NPT	1
4	300043	PIPE 3/4 PVC THREADED 2-1/2" L	1
5	300047	TUBE PVC CLEAR 1" X 3-3/8" L	1
6	300046	PIPE 3/4 PVC 2-1/8" L	2
7	300044	PIPE 3/4 PVC 3.0" L	1
8	300040	PIPE ELBOW 90 DEGREE 3/4 PVC	2
9	300042	PIPE 3/4 PVC THREADED 3-3/4" L	1
10	300010	PLATE MANIFOLD INLET	1
11	1220	10-24 X 3/8 BHCS BLK	4
12	1125	8-32 X 5/8 FHCS BLK	8

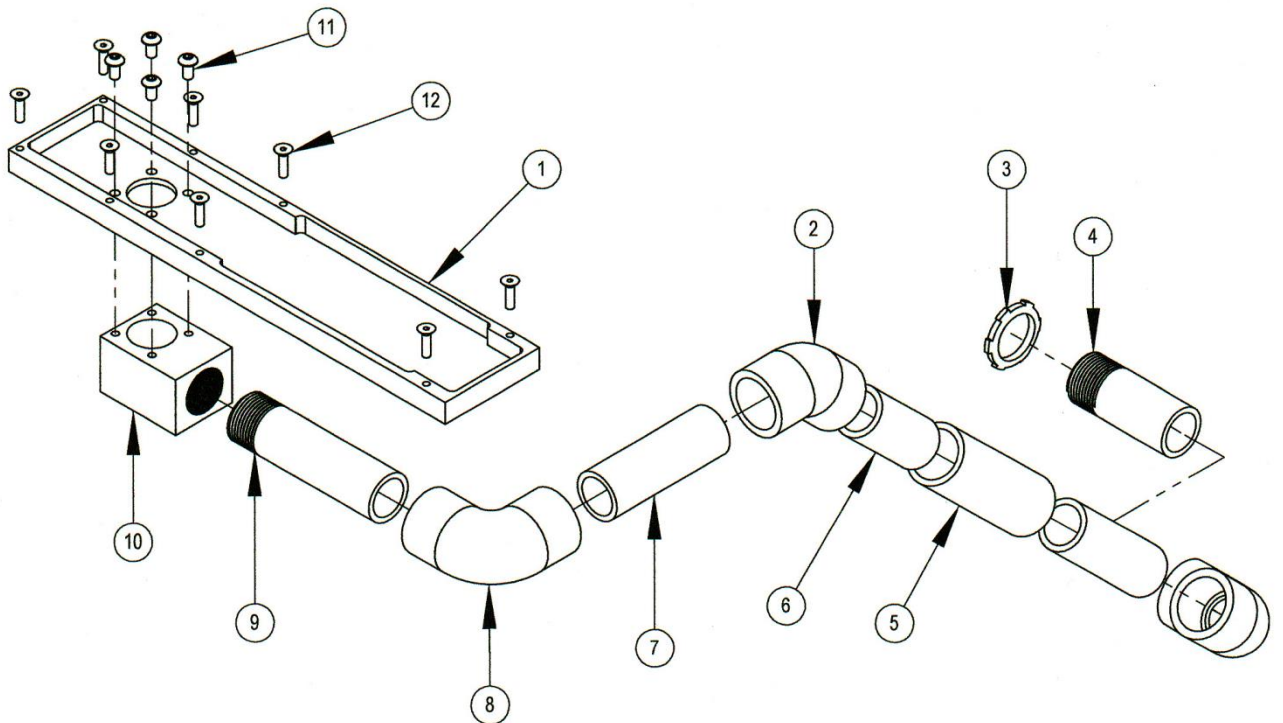


FIG. 5

### 311065 Assembly Plate Switch ISB

ITEM NO.	PART NUMBER	DESCRIPTION	QTY.
1	300065	PLATE SWITCH ISB	1
2	300085	SWITCH SPEED SELECT 3/POS	1
3	100515	SWITCH ROCKER ON/OFF	2

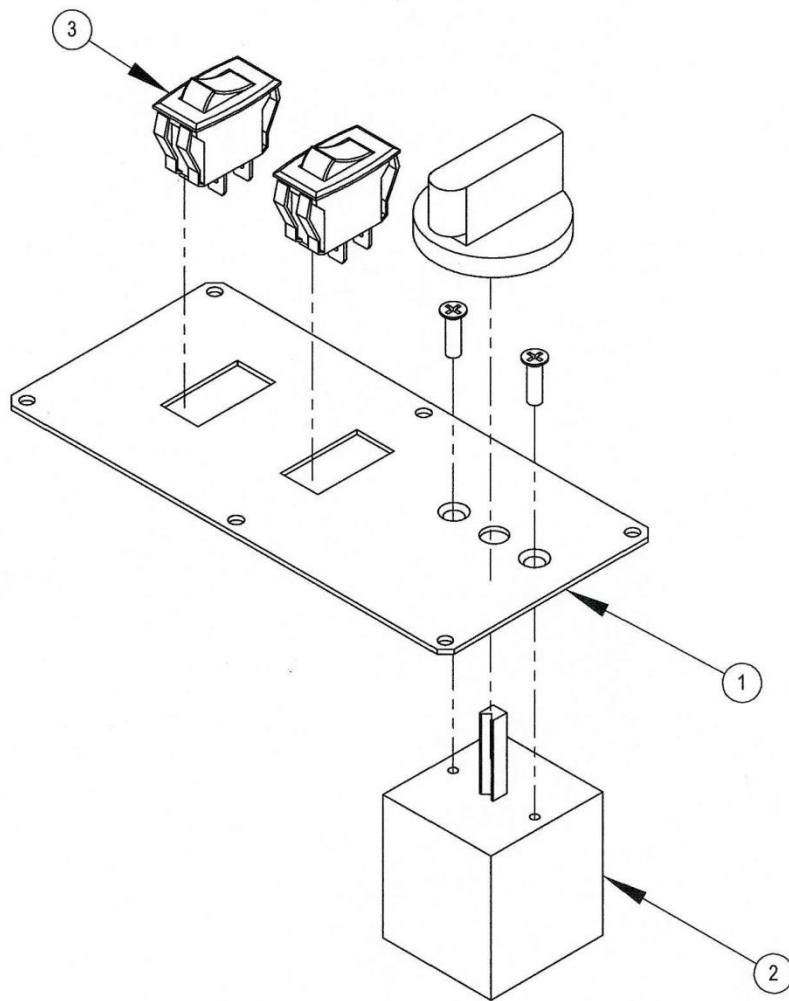


FIG. 6

## Assembly Panel Receptacle

ITEM NO.	PART NUMBER	DESCRIPTION	QTY.
1	300064	PANEL RECEPTICLE	1
2	300080	INLET AC W/SWITCH	1
3	1174	10-32 X 1/4 BHCS BLK	4
4	300081	HOLDER FUSE PANEL MOUNT	2
5	100522	FUSE GLASS 5 AMP	1
6	100523	FUSE GLASS 10 AMP	1
7	300083	OUTLET POWER AC	2

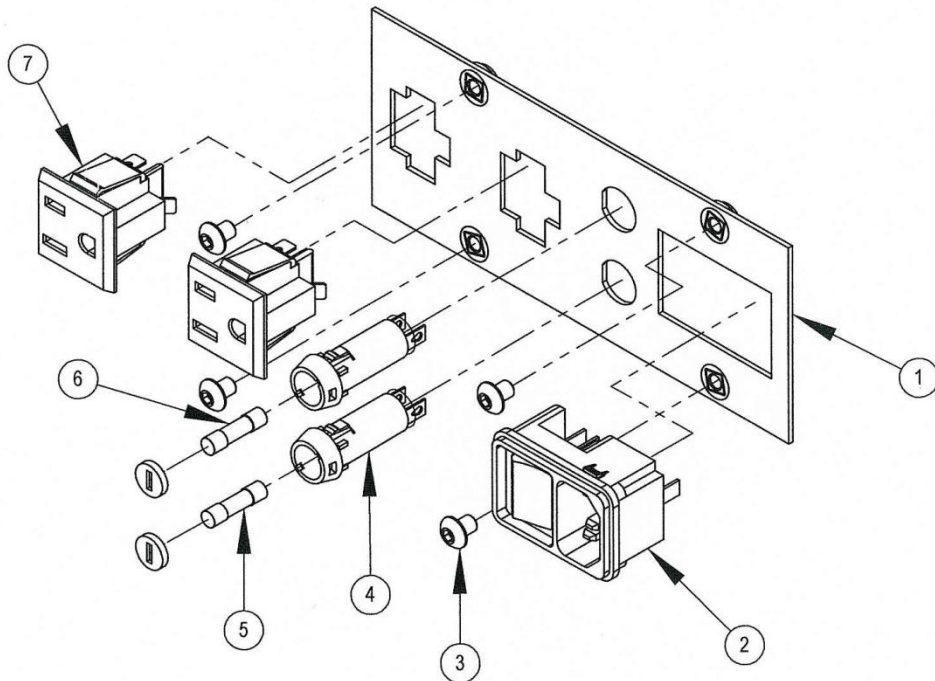


FIG. 7

## Assembly Base Plate Components

ITEM NO.	PART NUMBER	DESCRIPTION	QTY.
1	300072	MOTOR BLOWER FUJI 115VAC	1
2	300066	BRACKET WIRE HARNESS PLUG MTG	1
3	4049	3/8-16 NUT JAM Z	4
4	300095	FOOT LEVELING 3/8-16 X 1-1/2	4
5	300077	ASSY WIRE HARNESS MALE/FEMALE	1
6	1095	6-32 X 5/8 SHCS BLK	2
7	300084	BLOCK TERMINAL SURFACE MOUNT	1
8	300073	CONTROLLER MOTOR DRIVE DC	1
9	1150	8-32 X 3/8 SHCS BLK	8
10	300075	POWER SUPPLY 27VDC 75W	1
11	8007	1/2" ALUMINUM HEX STAND OFF	2
12	300076	BOARD ASSY CLUTCH INTERFACE	1
13	1082	6-32 X 1/4 PHIL PAN M/S ZP	4
14	1280	3/8-16 X 3/4 BOLT W/LOCKING FL	2

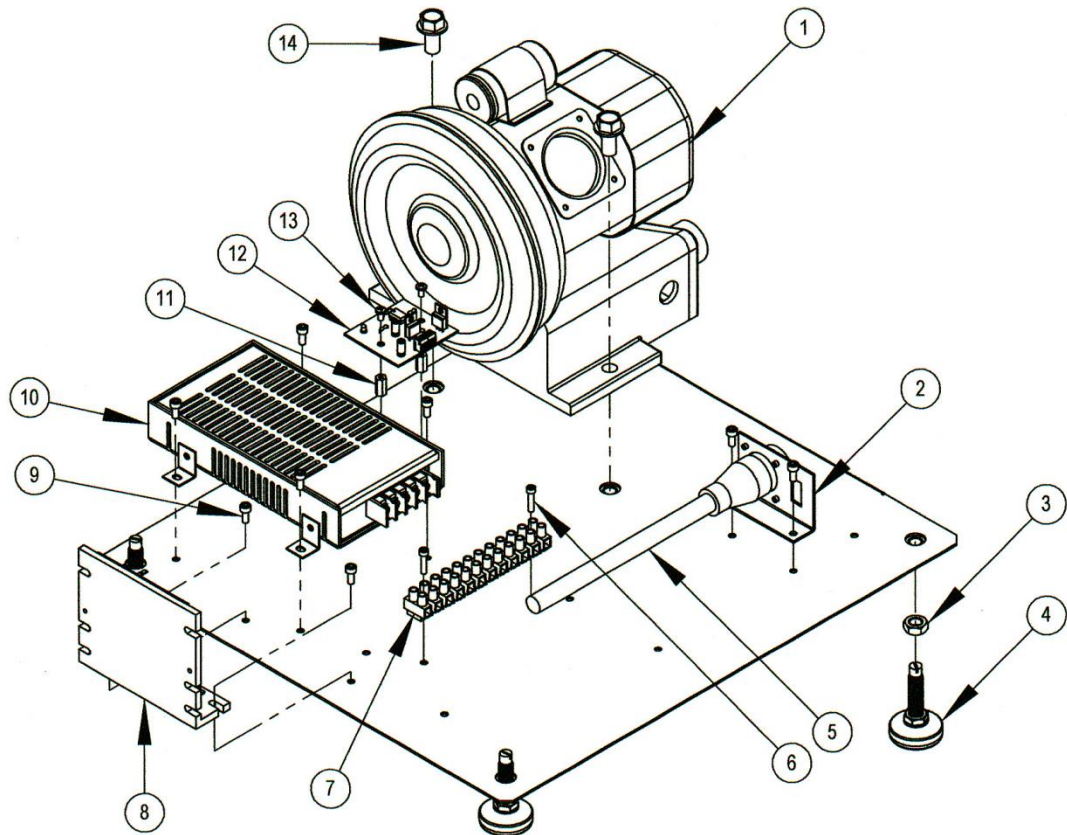


FIG. 8

## Assembly Roller Input Feed

ITEM NO.	PART NUMBER	DESCRIPTION	QTY.
1	300116	ARM ROLLER INPUT FEED	1
2	300117	BUSHING ARM INPUT FEED RLR	2
3	4060	¼ WASHER Z	1
4	4061	¼ WASHER LOCK Z	1
5	8203	BEARING ROLLER R-4 DBL SEAL	1
6	300118	ROLLER INPUT FEED	1
7	1233	¼-20 X 5/8 BHCS BLK	1
8	1138	8-32 X 3/8 BHCS BLK	1
9	300115	COLLAR INPUT FEED ROLLER	1
10	1226	¼-20 X 3/8 SOCSET FP	1
11	300114	SPRING EXTENSION	1
12	300119	O-RING SQUARE INPUT FEED RLR	1
13	4020	8-32 NUT Z	1
14	4040	¼-20 JAM NUT Z	1
15	300029	SHAFT ROLLER INPUT FEED	1

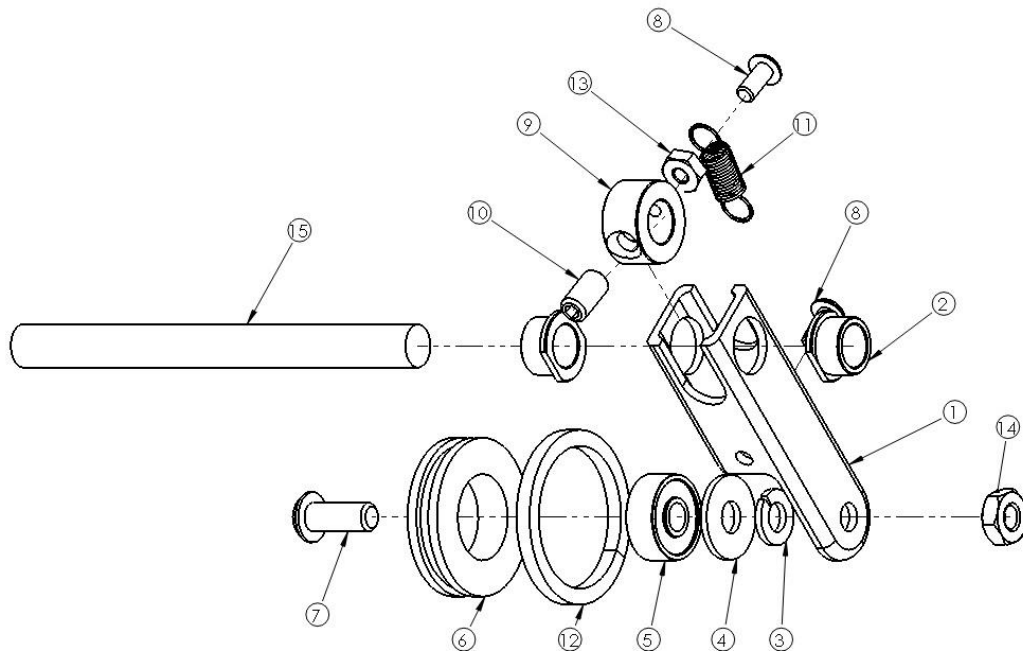


FIG. 9